

# Operation Manual

# VIESMANN

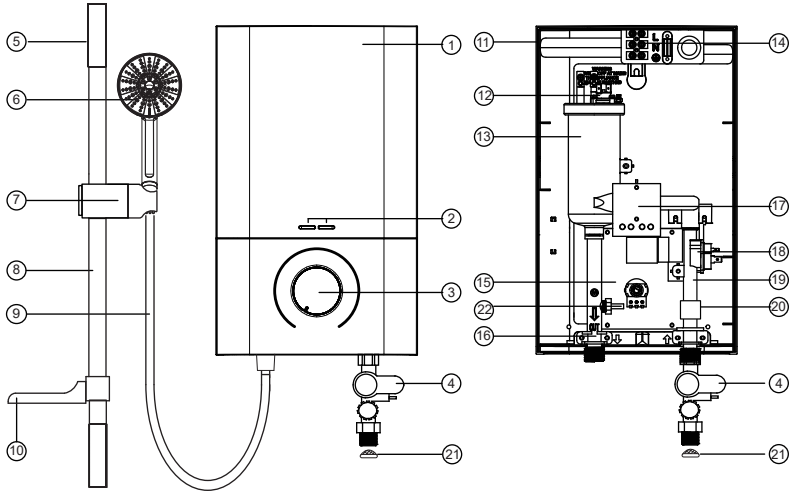
**VITOWELL EASY P1**  
Instant Water Heater



## VITOWELL EASY P1

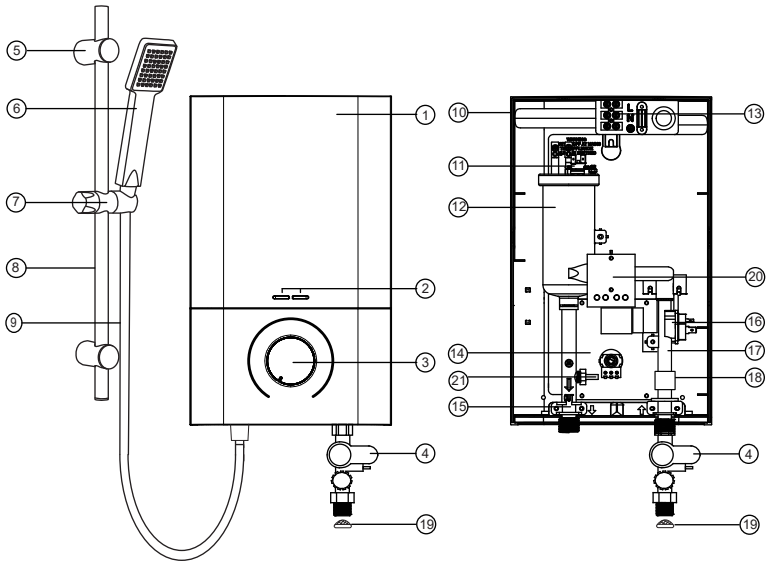


## Parts Identification - Handshower Set



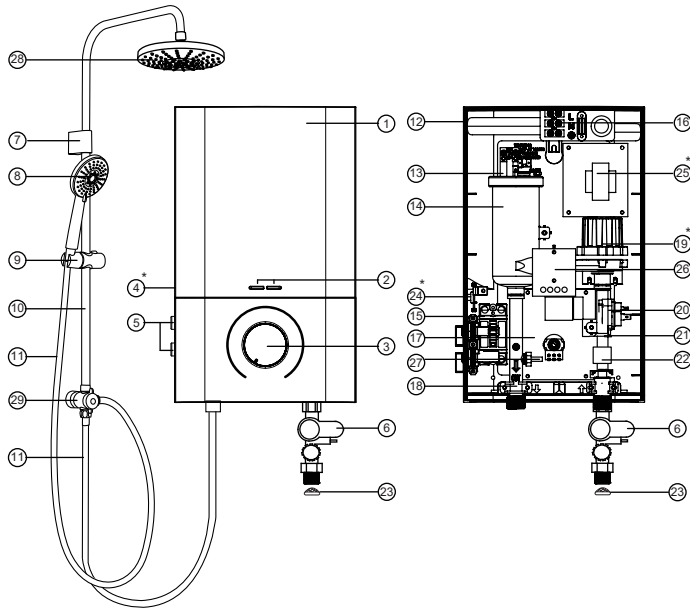
- |                                |                             |
|--------------------------------|-----------------------------|
| 1. Front Cover                 | 12. Thermostat              |
| 2. LED Indicators              | 13. Heater Tank             |
| 3. Temperature Control Knob    | 14. Terminal Block          |
| 4. Stop Valve                  | 15. Main PCB Board          |
| 5. Rail Support / Wall Bracket | 16. Water Outlet Connection |
| 6. Handshower                  | 17. LED Board               |
| 7. Adjustable Shower Holder    | 18. TRIAC                   |
| 8. Slider Rail                 | 19. Water Inlet Connection  |
| 9. PVC Hose                    | 20. Flow Switch             |
| 10. Soap Tray                  | 21. Mesh Filter             |
| 11. Heater Base                | 22. Thermistor              |

## Parts Identification - Handshower Set (Black)



- |                                |                             |
|--------------------------------|-----------------------------|
| 1. Front Cover                 | 12. Heater Tank             |
| 2. LED Indicators              | 13. Terminal Block          |
| 3. Temperature Control Knob    | 14. Main PCB Board          |
| 4. Stop Valve                  | 15. Water Outlet Connection |
| 5. Rail Support / Wall Bracket | 16. TRIAC                   |
| 6. Handshower                  | 17. Water Inlet Connection  |
| 7. Adjustable Shower Holder    | 18. Flow Sensor             |
| 8. Slider Rail                 | 19. Mesh Filter             |
| 9. PVC Hose                    | 20. LED Board               |
| 10. Heater Base                | 21. Thermistor              |
| 11. Thermostat                 |                             |

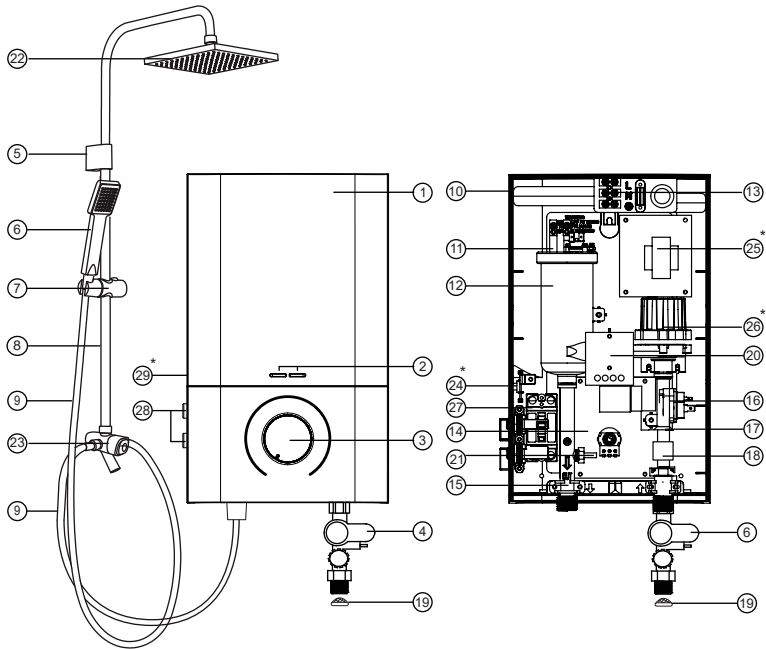
## Parts Identification - Rain Shower Set



Note : (\*) For PUMP MODEL only

- |                                |                             |
|--------------------------------|-----------------------------|
| 1. Front Cover                 | 16. Terminal Block          |
| 2. LED Indicators              | 17. Main PCB Board          |
| 3. Temperature Control Knob    | 18. Water Outlet Connection |
| 4. Pump Button                 | 19. DC Pump                 |
| 5. ELCB Test & Reset Lever     | 20. TRIAC                   |
| 6. Stop Valve                  | 21. Water Inlet Connection  |
| 7. Rail Support / Wall Bracket | 22. Flow Switch             |
| 8. Handshower                  | 23. Mesh Filter             |
| 9. Adjustable Shower Holder    | 24. Pump PCB Board          |
| 10. Slider Rail                | 25. SMPS Board              |
| 11. PVC Hose                   | 26. LED Board               |
| 12. Heater Base                | 27. Thermistor              |
| 13. Thermostat                 | 28. Rain Shower Head        |
| 14. Heater Tank                | 29. Selector Valve          |
| 15. Mechanical ELCB            |                             |

## Parts Identification - Rain Shower Set (Black)



Note : (\*) For PUMP MODEL only

- |                                |                             |
|--------------------------------|-----------------------------|
| 1. Front Cover                 | 15. Water Outlet Connection |
| 2. LED Indicators              | 16. TRIAC                   |
| 3. Temperature Control Knob    | 17. Water Inlet Connection  |
| 4. Stop Valve                  | 18. Flow Sensor             |
| 5. Rail Support / Wall Bracket | 19. Mesh Filter             |
| 6. Handshower                  | 20. LED Board               |
| 7. Adjustable Shower Holder    | 21. Thermistor              |
| 8. Slider Rail                 | 22. Rain Shower Head        |
| 9. PVC Hose                    | 23. 3-Way Diverter Valve    |
| 10. Heater Base                | 24. Pump PCB Board*         |
| 11. Thermostat                 | 25. SMPS Board*             |
| 12. Heater Tank                | 26. DC Pump*                |
| 13. Terminal Block             | 27. Mechanical ELCB         |
| 14. Main PCB Board             | 28. ELCB Test & Reset Lever |
|                                | 29. Pump Button*            |

## Important Safety Information

■ Products manufactured by us are safe provided they are installed, used and maintained in good working order in accordance with our instructions and recommendations. Always refer to this manual if you have any doubt.

■ The appliance must be earthed. Improper grounding could cause electric shock.

■ If any of the following conditions occur, immediately switch off the mains and contact the sales agent for repair. Never attempt to repair the unit yourself.

-If the heater begins to make an odd noise, smell or smoke.

-ELCB and heater lamp does not light up.

-Water temperature can not be controlled.

-If the instant water heater shows signs of a distinct change in performance.

-If found water leakage from inside.

■ For pump model, it is highly recommended to connect the water inlet connection to tank storage supply otherwise it may cause damage to the pump motor.

■ The appliance is not intended for use by person (including children) with reduced physical, sensory or mental capabilities, or lack of experience and knowledge, unless they have been given supervision responsible for their safety. Children should be supervised to ensure that they do not play with the appliance.

■ This appliance is not to be used for a potable water supply.

**User is advised to test and adjust the water temperature before showering.**

■ In time of lightning/thunder, switch "off" the electric supply to the instant water heater in advance to protect the instant water heater against possible damage.

■ Metallic/chrome hose and conductive control valve shall not be used. (Malaysia only)

Note: When removing the instant water heater from package, small amount of water may be found inside. This is normal as the unit is tested during manufacturing process.



■ Installation must be carried out by a qualified personnel and in compliance to the local authority regulations.

■ This instant water heater must be permanently connected to the direct main current supply. The use of a plug and socket is not recommended.

■ For the correct size of wire conductor corresponding to different electrical loading, please refer to Table 1.

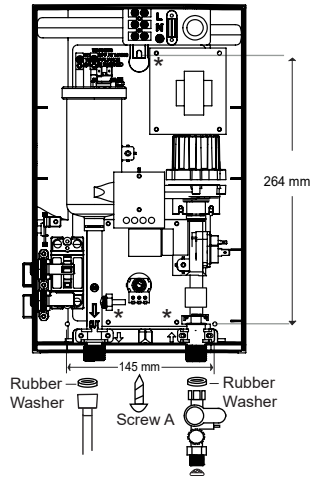
■ This instant water heater operates at a minimum water flow rate of 2.0ltr/min and maximum working pressure of 6 bars. For direct connection to the water tank, the heater must have a minimum distance of 1.0m below the water tank.

■ This instant water heater will not function if there is insufficient water flow (min 2.0ltr/min) to trigger the flow switch.

■ The built-in ELCB will automatically cut off the power supply in case there is a current leakage of at least 15mA.

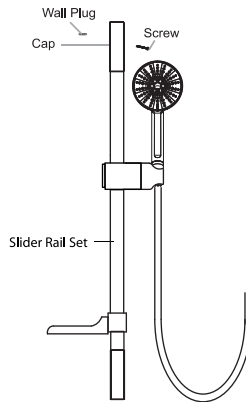
■ The thermostat will automatically cut off the power supply if it has sensed an abnormal rise in water outlet temperature.

## Heater Unit Installation



- Select a suitable position in the bathroom.
- Pull out the Temperature Control Knob and then remove the screw (A) at the bottom of the unit.
- Remove the Front Cover from the bottom and then lift up the front cover.
- Mark 3 Screw points of the Heater Base on the wall. (Refer \* marking)
- The Instant Water Heater position should be 1.5m above the bathroom floor.
- Use 6mm diameter drill and make the wall plug holes in depth of 34mm.
- Insert the wall plugs and mount the Instant Water Heater firmly in position with the screws provided.

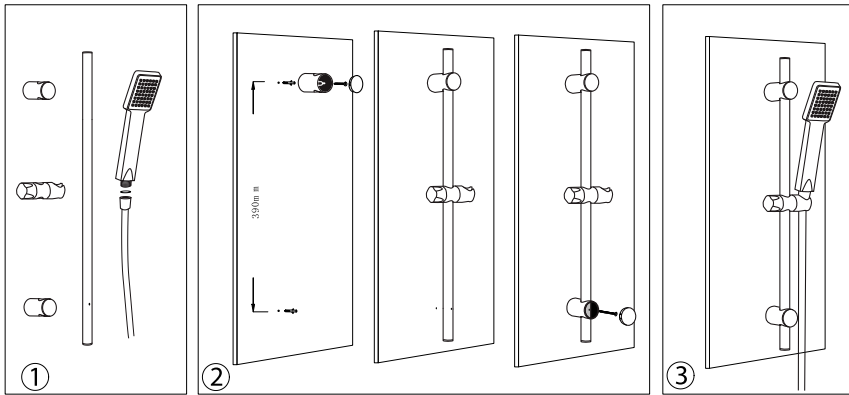
## Handshower Installation



- Mark 2 screw points of the Slider Rail beside the heater. It is recommended that the top of the portion is in level with the top of Instant Water Heater.
- Use 6mm diameter drill and make the wall plug holes in depth of 34mm.
- Insert the wall plugs and mount the Instant Water Heater firmly in position with the screws provided.
- Insert the Shower Holder and Soap Tray into the Slider Rail.
- Mount the Slider Rail to the Rail Bracket.
- Remove the cap from the Rail Bracket and screw the Bracket to marked position. Replace the cap.

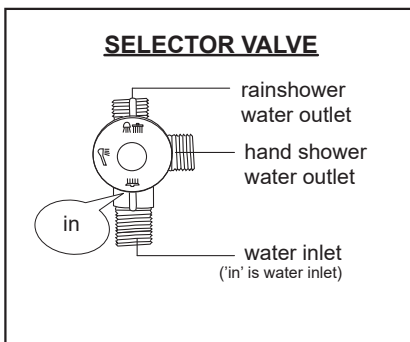
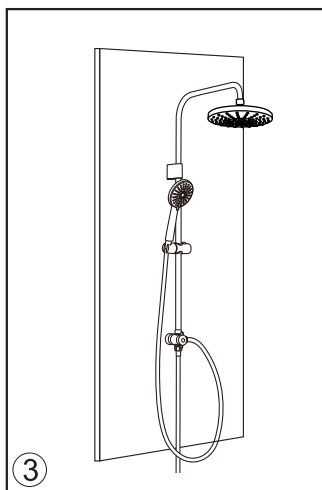
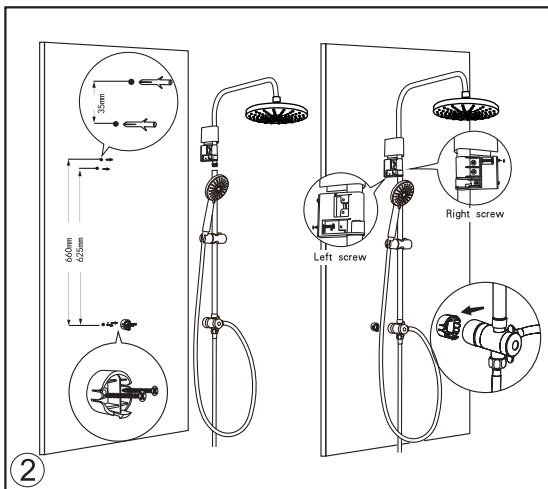
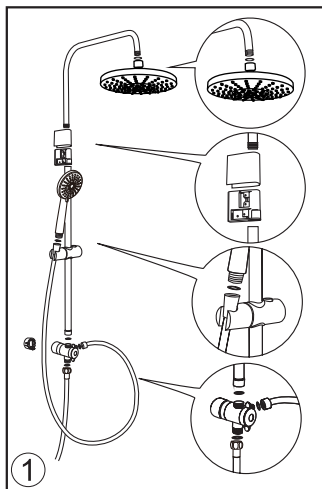


## Handshower (Black) Installation



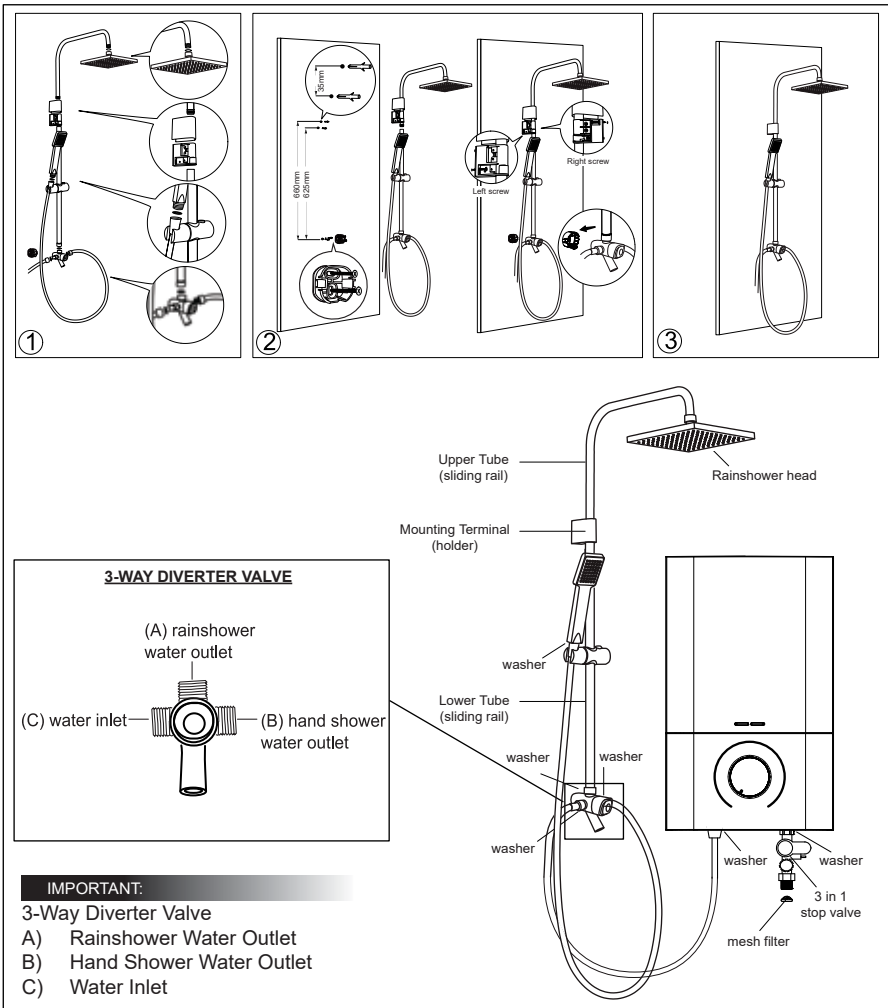
- Mark 2 screw points of the Slider Rail beside the heater. It is recommended that the top of the portion is in level with the top of Instant Water Heater.
- Use 6mm diameter drill and make the wall plug holes in depth of 34mm.
- Remove the cap from the Upper Rail Support, screw the bracket to position. Replace the cap.
- Insert the Shower Holder and Lower Rail support into the Slider Rail. Put it into the Upper Rail Support.
- Remove the cap from the Lower Rail Support, screw the bracket to position. Replace the cap.

## Rain Shower Installation



- Do marking for the location of the lower and upper bracket. Install the bracket holders on the wall.
- Assemble the upper tube with rain shower and lower tube with divider.
- Hook the assembled divider to the mounted bracket.
- Tighten the screws and make sure all joints are completely connected to avoid leakage.

## Rain Shower (Black) Installation



- Do marking for the location of mounting terminal (bracket holder) and 3-way diverter valve.
- Slot in assembled upper tube to the lower tube. Install the mounting terminal (bracket holder) and 3-way diverter valve on the wall.

- Hook the assembled sliding rail to the mounted bracket.
- Tighten all joints and be sure to put the rubber washers to avoid leakage.

## Plumbing Procedure



This Instant Water Heater is a single point system and the “Water Outlet” can only be fitted to the PVC Hose and shower set provided. **NO CONTROL VALVE OR FITTING CAN BE FITTED TO THE WATER OUTLET.**

- Connect the Stop Valve to the Water Inlet with washer. Use correct tools to tighten the connection and be careful not to over tighten and damage the plastic nut.

- Connect the incoming water piping to the Stop Valve (1/2” BSP). Make sure to put the Mesh Filter between Stop Valve and incoming water piping.

- If in any case, the Stop Valve is not used or omitted, make sure to put the Mesh Filter between the heater unit inlet pipe and incoming water pipe.

- Turn on the water mains to drain out all plumbing dirts, at the same time fill up the heater tank. **THE HEATER TANK MUST BE FILLED UP WITH WATER BEFORE TURNING ON THE ELECTRICITY SUPPLY TO PREVENT ANY DRY BURNT DAMAGE TO THE HEATING ELEMENT.**

- Connect the PVC Hose and shower set to the outlet of the Instant Water Heater, be sure to put in the Washer.

- Hook the Handshower to the Sliding Rail Shower Holder and adjust to your ideal position.

- Check if any water leakage.

- Do not use white tape during piping installation.

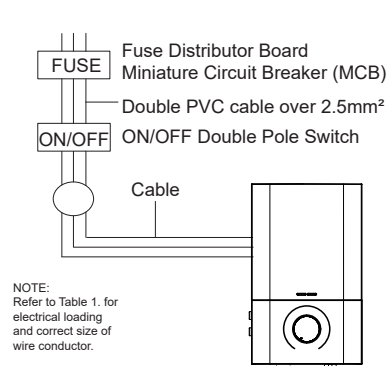


- **THE WATER INLET AND OUTLET MUST BE INSTALLED CORRECTLY , OTHERWISE IT MAY CAUSE A DAMAGE TO THE HEATING ELEMENT.**

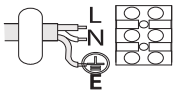
- **DO NOT APPLY PLUMBING CEMENT ON CONNECTION. WHENEVER NECESSARY, USE ONLY THREAD OR SEALING TAPE.**

- **THE WATER INLET OF THIS APPLIANCE SHALL NOT BE CONNECTED TO INLET WATER OBTAINED FROM ANY OTHER WATER HEATING SYSTEM.**

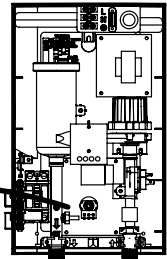
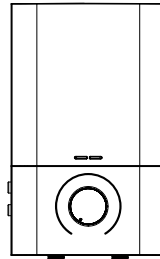
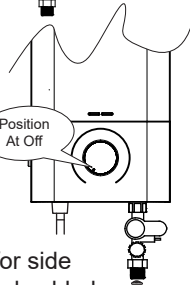
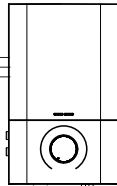
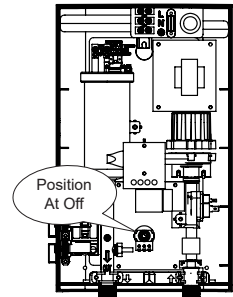
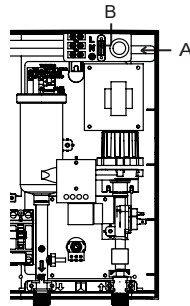
## Electrical Installation



NOTE:  
Refer to Table 1, for  
electrical loading  
and correct size of  
wire conductor.



BROWN or RED — LIVE (L)  
BLUE or BLACK — NEUTRAL (N)  
GREEN or GREEN/YELLOW — EARTH (⊕)



### PROCEDURE:

Insert the cable through 'A' for side entry or 'B' for wall embedded cable by cutting a hole through the source cord rubber holder.

Connect the cable to Terminal Block and fully tighten them as follow

BROWN or RED — LIVE (L)  
BLUE or BLACK — NEUTRAL (N)  
GREEN/YELLOW — EARTH (⊕)

When replace back the Front Cover, please take note the below procedure:

- To ensure the correct position, turn the Temperature VR Knob insert to OFF position as shown in Fig A. (at the Heater Base)

- To install the Front Cover, turn the Temperature Control Knob to OFF position to align with the VR Knob connect the LED display cable from front cover to the Main Control PCB. Clamp the cable to the correct position.

CHECK IF THE WIRING CONNECTION IS CORRECT and replace the cover.

- Fix back the screw 'A'.



This appliance must be EARTHED. Improper grounding could cause electrical shock. Remember to SWITCH OFF at mains before carrying out any electrical work.

Refer to the previous TABLE 1 for the correct cable size.

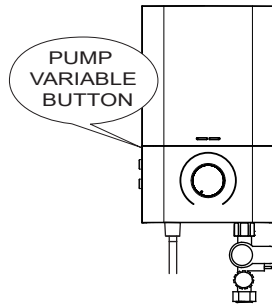
Use double coated flexible cable having nominal cross-sectional area between 2.5mm<sup>2</sup>.

Lead the power cable from the MCB to a "ON/OFF" double pole linked switch having a contact separation of at least 3mm in all poles outside the bathroom, then lead a cable connected to terminal block inside the unit.

## Electrical Loading Table

Voltage (AC)	Power (kW)	Current (A)	Minimum Conductor Size (csa)			On/Off Switch (A)	Fuse / MCB (A)
			mm <sup>2</sup>	Conduit Cable	Flexible Cable		
240~50/60Hz	3.6 <small>(Malaysia/Modat)</small>	15.0	4.0	7 / 0.85 mm	56 / 0.30 mm	20	20
230~50/60Hz	3.3	14.4	2.5	7 / 0.67 mm	50 / 0.25 mm	20	20
220~50/60Hz	2.4	10.9	2.5	7 / 0.67 mm	50 / 0.25 mm	20	20
	3.5	15.9	2.5	7 / 0.67 mm	56 / 0.25 mm	20	20
	4.5	20.5	2.5	7 / 0.67 mm	56 / 0.25 mm	32	32
	6.0	27.3	4.0	7 / 0.85 mm	56 / 0.30 mm	32	32

## Test Run



- Turn on the water supply and Stop Valve, the water will flow through the Handshower.

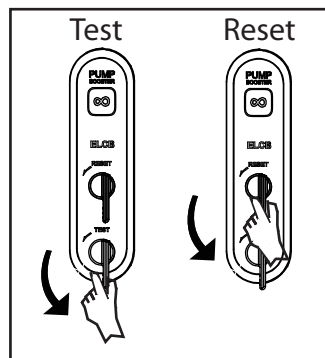
- Switch on the electrical supply. Turn the Temperature Control Knob to 'ON', the Red Indicator light (Power) will turn on, hot water will flow out within a few seconds. The more Temperature Control Knob being turned in clockwise direction, the hotter the shower is.

- The shower might not be hot enough even at 'MAX' position if incoming water supply from the mains is too cold or pressure water is too high. In this case, you may adjust the Stop Valve to reduce the water inflow in order to get the desired showering temperature.

- Switch OFF the electricity supply after shower.
- For Pump Models: Push the Pump Button to test on Pump's functionality. If the shower is not hot enough, you may adjust the stop valve until the desired shower temperature is obtained.

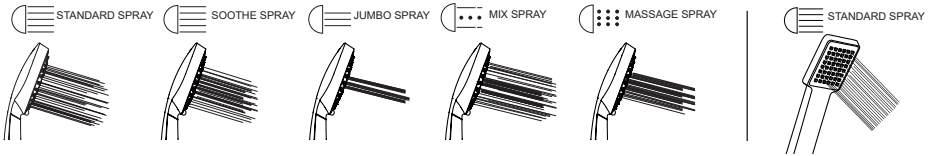
Check the Built-in ELCB as following:  
This procedure is highly recommended to test at least once a month.

- Pull the "TEST" Lever until the lever touch the internal button of ELCB, the Built-in ELCB should trip and cut off the power supply, all LED Indicators should light off.
- Pull the "RESET" Lever until the ELCB lever is fully push up to reset, the Instant Water Heater should resume normal function, the White LED Indicators should light on. If procedures stated above prevailed, the ELCB is functioning in normal condition.

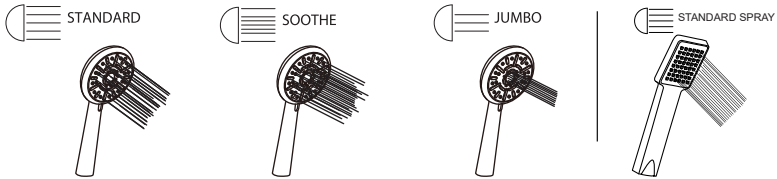


## Handshower Spray Action

### Normal Handshower Spray



### Rainshower Handshower Spray

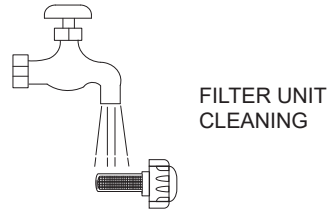
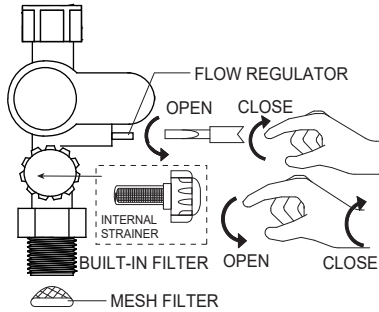


This innovative adjustable Handshowers have different spray actions. The actions are described as above.

- ! Clean the Handshower Head holes by using the soft brush from time to time. Recommended once a week. Note: Take care not to damage the holes of the Handshower Head during cleaning.



## Maintainance



Read the section 'IMPORTANT SAFETY INFORMATION' first.

### ■ TEST THE 'ELCB' REGULARLY

This procedure is highly recommended to test at least once a month. Turn on the electricity and water supply, the White ELCB lamp will light up. If the Temperature Control Knob is in 'ON' position, the Red Heater LED will light up also. Pull the ELCB Test lever, the ELCB and HEATER lamp should go off. Push the Reset lever to resume back the electricity supply.

- ! - If the ELCB or HEATER lamp does not go off when you pull the ELCB Test lever, SWITCH OFF the mains supply and contact your sales agent for repair. Special skill is required for repair.
- NEVER try to repair the unit by yourself.

### ■ CLEANING PRECAUTION!

Do not use thinner, alcohol, petrol or any other organic solution to clean the set, use only a damp cloth with mild detergent.

### ■ CLEAN THE FILTER REGULARLY.

There are two filter located at the stop valve, one is Mesh Filter (installed at the incoming water supply), another one is the built-in filter as shown.

- Clean the Mesh Filter regularly to prevent blockage. Remove the built-in filter by turn it anti-clockwise as shown . Take out the Filter and flush it with water to remove any trapped sendiments.

## Troubleshooting

Problem/Symptom	Cause	Action/Cure
Electric Water Heater fail to operate, no power.	Interrupted power supply.	Check the wire connection and main power supply. If it still fail to operate, contact Viessmann Customer Service Call Centre.
	Electric Water Heater malfunction.	Check other appliances are having same phenomenal and contact local Electricity Supply Company. If it still fail to operate, contact Viessmann Customer Service Call Centre.
Water too hot.	Not enough water flowing through the shower.	Increase flow rate via water flow controller or 3 in 1 Stop valve. Blocked of shower head - clean or replace.
	Blockage in water supply.	Check if 3 in 1 stop valve are fully turns on. Cleaning Mesh Filter and Built In Filter.
	Incoming water temperature too high.	Reduce the setting temperature via temperature adjuster.
Water hot after close and reopen of 3 in 1 Stop Valve or Water Tap.	Water temperature higher than set temperature when 3 in 1 Stop Valve or Water Tap is OFF a while and reopen again.	Avoid shower with water output in that period. Let the water flow few seconds before continue bathing.
Water too cool or cold.	Too much water flow.	Reduce flow rate via water flow controller or 3 in 1 Stop valve.
	Water pressure below minimum required and water heater not function.	Check water supply from mains or tank fed. If tank fed, replumb to mains water supply and check if the water pressure is enough. If mains fed, make sure that mains 3 in 1 stop valve is fully turns on and that there are no other restrictions in the water supply while water heater is in use.
Check the Built-in ELCB	Test the Built-in ELCB.	Pull the "TEST" Lever until the lever touch the internal button of ELCB, the Built-in ELCB should trip and cut off the power supply, all LED Indicators should light off.
	Current leakage , the Built-in ELCB tripped.	Pull the "RESET" Lever until the ELCB lever is fully push up to reset, the Instant Water Heater should resume normal function, the White LED Indicators should light on. If procedures stated above prevailed, the ELCB is functioning in normal condition. If it still fail to operate, contact Viessmann Customer Service Call Centre.

## Troubleshooting

Problem/Symptom	Cause	Action/Cure
Electric Water Heater no power.	Incoming water flow too low.	Adjust the 3 in 1 Stop valve.
	Electrical malfunction of Electric Water Heater.	Contact Viessmann Customer Service Call Centre.
	Safety Thermostat cut-out operated.	Safety Thermostat cut-out operated. Contact Viessmann Customer Service Call Centre.
Water flow too low.	3 in 1 Stop Valve Filter/Mesh Filter blocked.	Clean the filter.
	3 in 1 Stop Valve not fully open.	Open 3 in 1 Stop Valve to desire flow rate.
	Water supply insufficient.	Check house water supply.

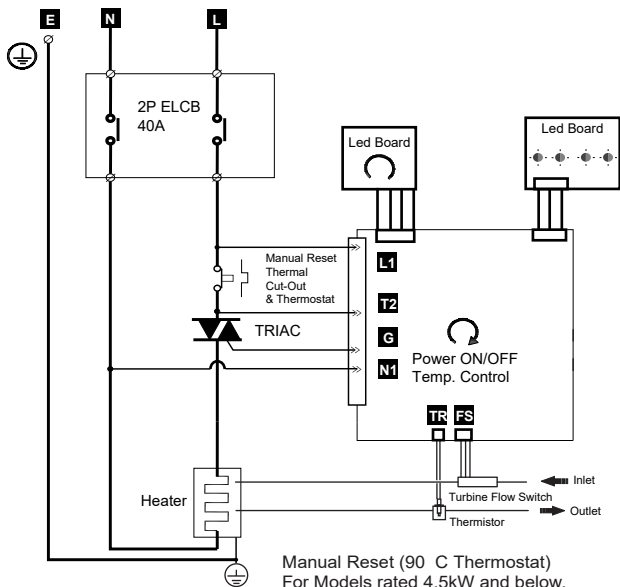
### NOTES

It is advised all electrical maintenance/repairs to the shower should be carried out by a suitably qualified person. In the unlikely event of Electric Water

Heater failure other than detailed in the fault finding page, please contact Viessmann Customer Service Call Centre for advice.

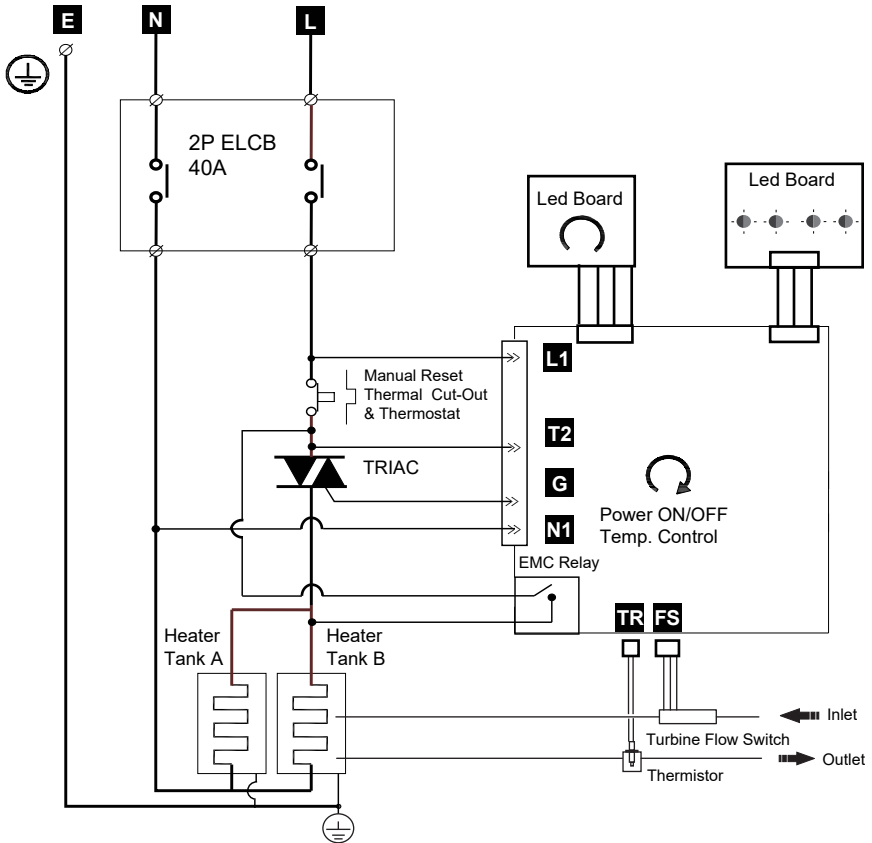
## Wiring Diagram

### ELECTRICAL CONTROL WITH MECHANICAL ELCB NO PUMP MODEL



## Wiring Diagram

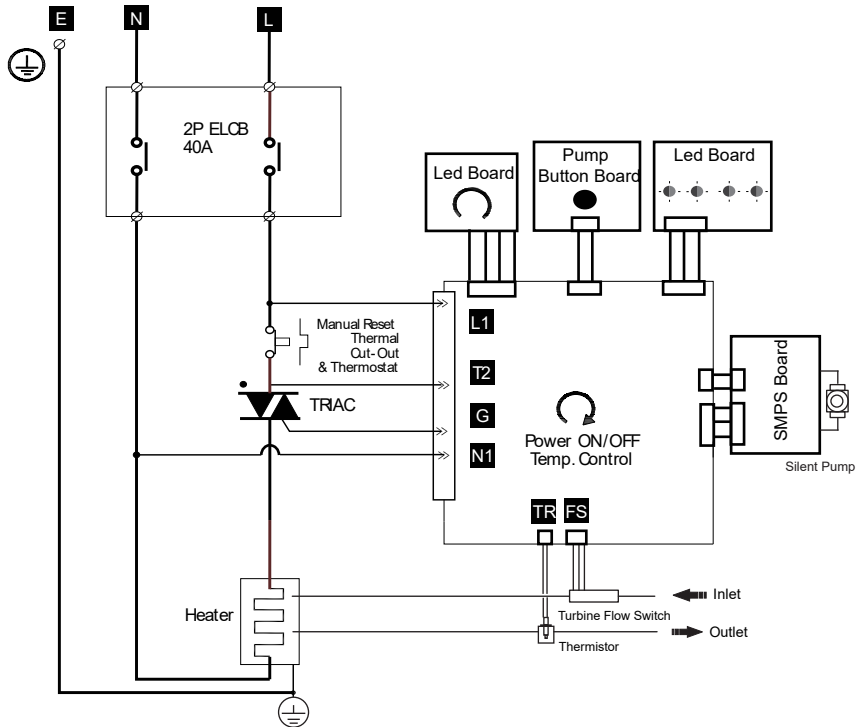
### ELECTRICAL CONTROL WITH MECHANICAL ELCB NO PUMP MODEL EMC



Manual Reset (90 C Thermostat)  
For Models rated 4.5kW and below,  
thermostat is manually resettable.

# Wiring Diagram

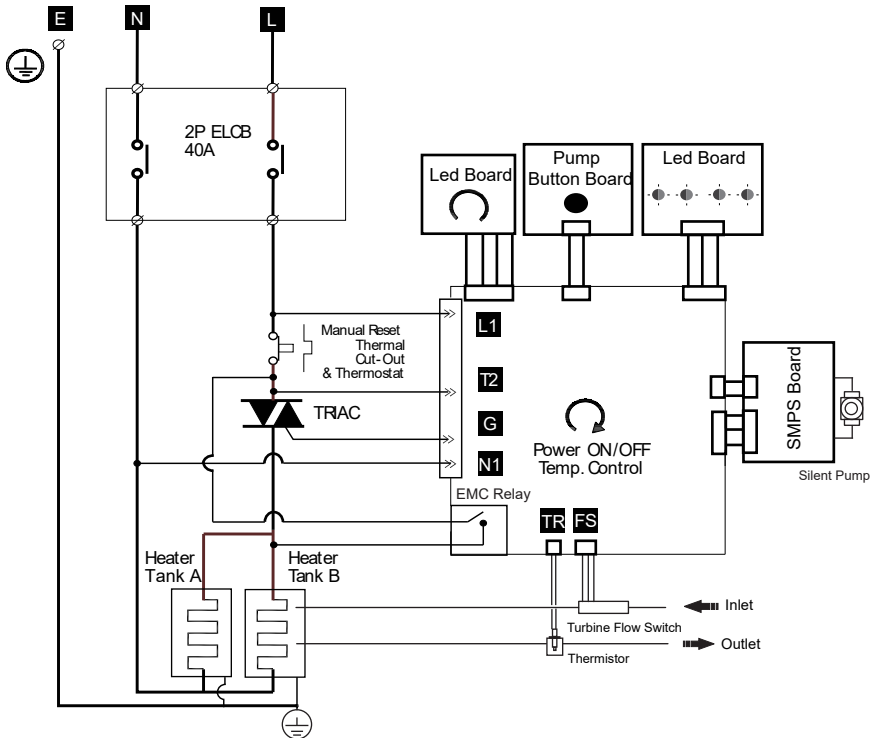
## ELECTRICAL CONTROL WITH MECHANICAL ELCB DC PUMP MODEL



Manual Reset (90 C Thermostat)  
For Models rated 4.5kW and below,  
thermostat is manually resettable.

## Wiring Diagram

### ELECTRICAL CONTROL WITH MECHANICAL ELCB DC PUMP MODEL EMC



Manual Reset (90 C Thermostat)  
For Models rated 4.5kW and below,  
thermostat is manually resettable.

## Electrical Specification

TYPE	ELECTRONIC POWER CONTROL
ELECTRICAL LOADING	2.4kW TO 6.0kW 220/230/240Va.c. 50/60Hz
Min. WATER FLOW RATE	2 Liter / min.
Min. INLET WATER PRESSURE	0.1 Bar (10kPa)
Max. INLET WATER PRESSURE	6 Bar (0.6MPa)
WATER CONNECTION	1/2" BSP SINGLE POINT SYSTEM
DIMENSIONS	210 x 343 x 87 mm
WEIGHT	1.7 Kg (No Pump) 2.0 Kg (DC Pump)

Note : The specification, actual product's cosmetic design and accessories parts shown are correct at the time of printing and may be subjected to change without prior notice.



---

VISSMANN GROUP  
VISSMANNSTRASSE 1, 35108 ALLENDORF (EDER),  
GERMANY

REGIONAL OFFICE  
VISSMANN SINGAPORE PTE.LTD  
25 INTERNATIONAL BUSINESS PARK #04-01/02  
GERMAN CENTRE  
SINGAPORE (609916)