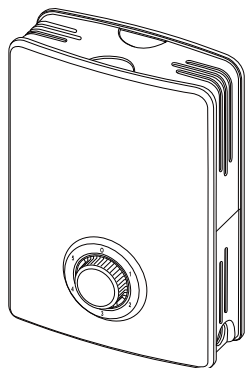


VIESSMANN

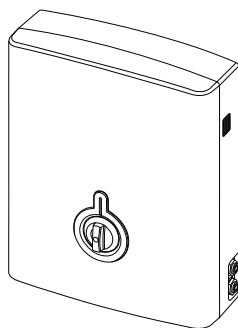
VITOPURE

MANUAL BOOK

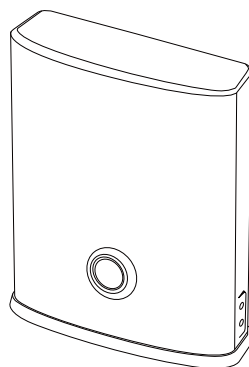
VITOPURE S4-B, S4-C, S4-D



VITOPURE S4-B



VITOPURE S4-C



VITOPURE S4-D

Please read this manual carefully, before installation, usage and maintenance for this product.

SAFETY TIPS

Please strictly follow these safety tips to reduce the risk of electric shock, injury, fire, death and property damage.

Danger

It indicates a potential hazard that is highly likely to cause serious injury or death

Warning

It indicates a potential hazard that could result in serious injury or death

Note

It indicates a danger that could result in minor injury or property damage.



This symbol is used to remind user of the prohibited operation steps.



This symbol is used to remind user of the operation steps that must be followed in order to operate this product in a safe manner.

Note

Target

This manual is intended for use only by the designated professionals. The first run should be performed by the device installer or its designated professionals.

Rules and regulations

- National regulation of installation
- National regulation on accident safety protection
- National regulation on environmental protection

Precautions for installation, maintenance and use

- The device is suitable for municipal tap water.
- Do not connect unsafe or unknown water source to the device for filtering.
- The device is used to pre-filter tap water and the treated water is not available for direct drinking.
- The working water temperature is 1-39°C. The device can not be installed on hot water pipeline.
- The device can be installed anywhere in domestic tap water pipe. However, it is recommended to install the device near kitchen sink for convenient installation and maintenance.
- Maintenance valves should be installed between the device and water inlet pipe.
- Sufficient space is required for installation and operation during installation.
- The installation should be away from acid and alkaline substances or gases to avoid corrosion.
- If it is required to install the device outdoors, the device room should be built to avoid the device exposure to sun, rain, snow and other damages.
- The device and connecting fittings should be insulated in cold areas to prevent the device and connecting fittings from being broken.
- Turn off the main water valve when the device is not used for a long time or the user is absent from home.
- Please slowly turn on the main water valve before resuming use when the device is not used for a long time. Then, turn on water purification faucet and rinse for 5 minutes before re-use



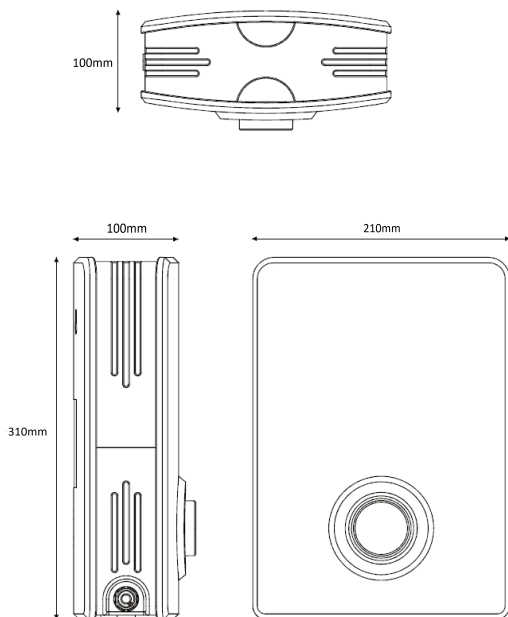
- The spare parts and wearing parts that do not compatible with the device or are not subject to inspection may affect the device function.
- The installation of unauthorized components or unauthorized changes or modifications to the device may affect operational safety and reduce warranty coverage.
- When any part is replaced, it is only allowed to use Viessmann original parts or the spare parts approved by Viessmann. Repairing the components with safety features may affect the safe operation of the device.
- Defective parts must be replaced with the original Viessmann parts.



The state issues special regulations on the disposal of discarded electronic and electrical products. Such regulations will vary from country to region. Please properly dispose the used filter in accordance with relevant national and local regulations. Please contact a qualified plumber or local dealer.

PRODUCT DESCRIPTION

Vitopure S4-B Drinking Water Purifier



Technical Data

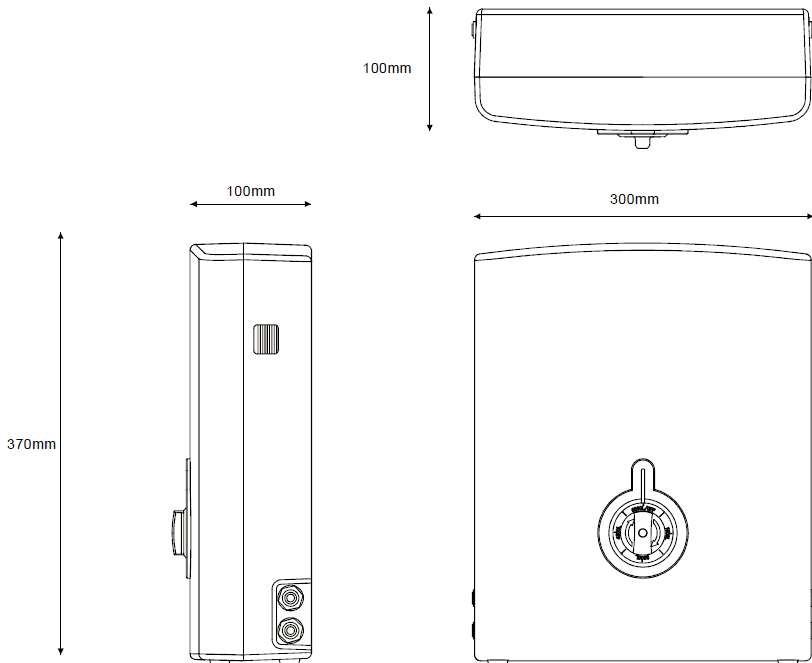
Vitopure S4-B Drinking Water Purifier

The device is installed after the household main water inlet gauge. Relying on pressure of tap water in municipal pipeline, the device can make water pass through the filter element to remove the sediment, rust, suspended solids and microorganisms contained in water one by one. When the filter element reaches the end of its service life, it will be replaced with a new one.

Product Name	: Drinking Water Purifier
Model	: Vitopure S4-B
Inlet Water	: Municipal tap water
Filter	: PP filter
	: Hollow fiber membrane
Flow Rate	: 1.2 litre/minutes
Working Pressure	: 1 - 6,5 Bar
Ø Water inlet / output pipe	: DN8
Inlet Water Temperature	: 1- 39°C

PRODUCT DESCRIPTION

Vitopure S4-C Drinking Water Purifier



Technical Data

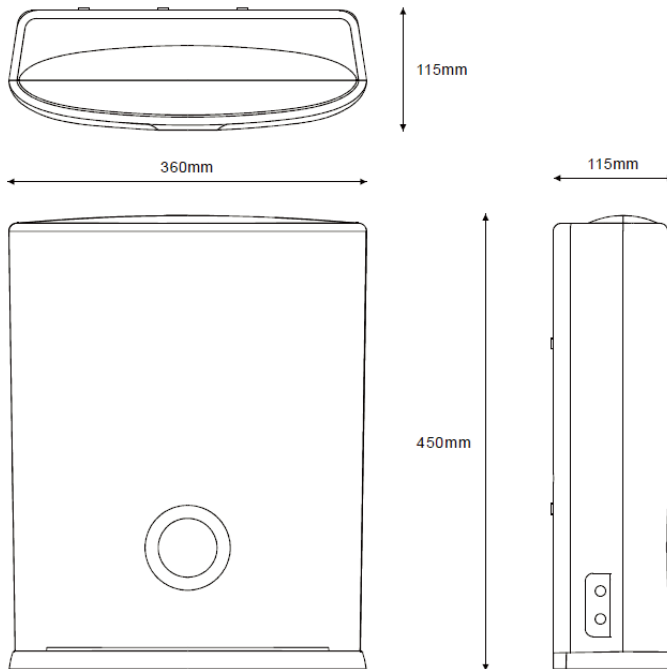
Vitopure S4-C Drinking Water Purifier

The Water Purifier is installed after the household main water inlet gauge. Relying on pressure of tap water in municipal pipeline, the water purifier can make water pass through the filter element to remove the sediment, rust, suspended solids and microorganisms contained in water one by one. When the filter element reaches the end of its service life, it will be replaced with a new one.

Product Name	: Drinking Water Purifier
Model	: Vitopure S4-C
Inlet Water	: Municipal Tap Water
Filter	: Diatomite ceramic Compound filter Compressed activated carbon
Flow Rate	: 1.2 litre/minutes
Working Pressure	: 1 - 6.5 Bar
⌀ Water inlet / outlet pipe	: DN8
Inlet Water Temperature	: 1- 39°C

PRODUCT DESCRIPTION

Vitopure S4-D Drinking Water Purifier



EN

Technical Data

Vitopure S4-D Drinking Water Purifier

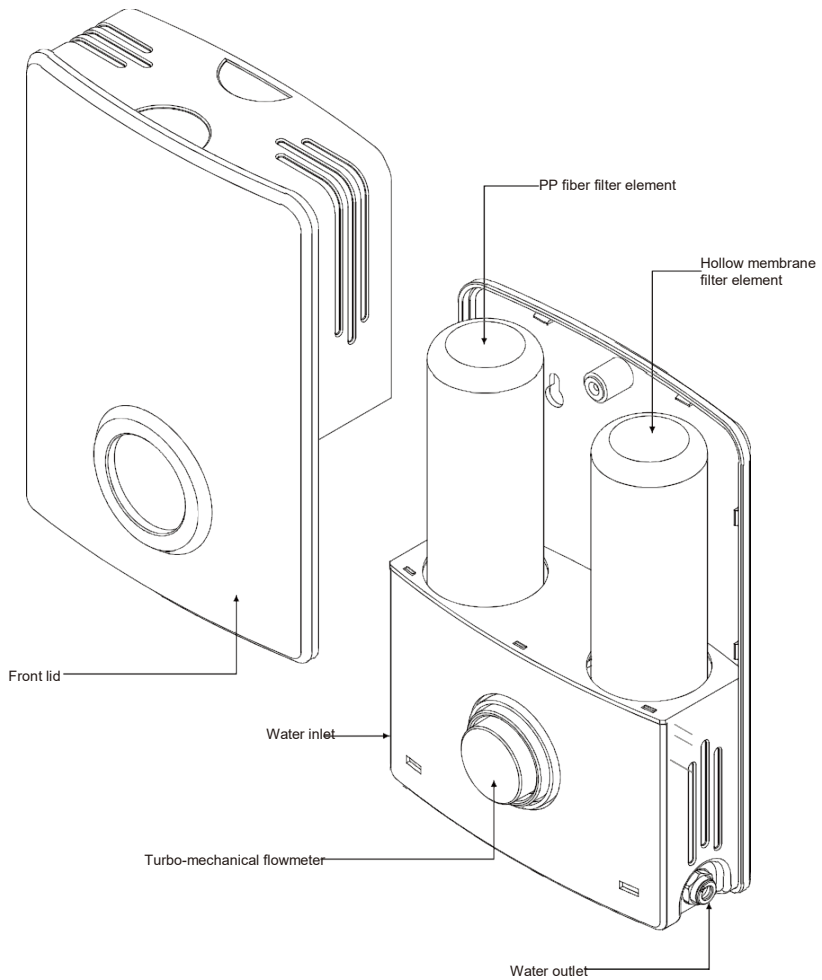
The Water Purifier is installed after the household main water inlet gauge. Relying on pressure of tap water in municipal pipeline, the water purifier can make water pass through the filter element to remove the sediment, rust, suspended solids and microorganisms contained in water one by one. When the filter element reaches the end of its service life, it will be replaced with a new one.

Product Name	: Drinking Water Purifier
Model	: Vitopure S4-D
Inlet Water	: Municipal tap water
Filter	: PP fiber
	: Diatomite ceramic
	: Compound filter
	: Compressed activated carbon
Flow Rate	: 3 litre/minutes
Working Pressure	: 1 - 6,5 Bar
∅ Water Inlet / outlet pipe	: DN8
Inlet Water Temperature	: 1- 39°C

PART DESCRIPTION

Vitopure S4-B Drinking Water Purifier

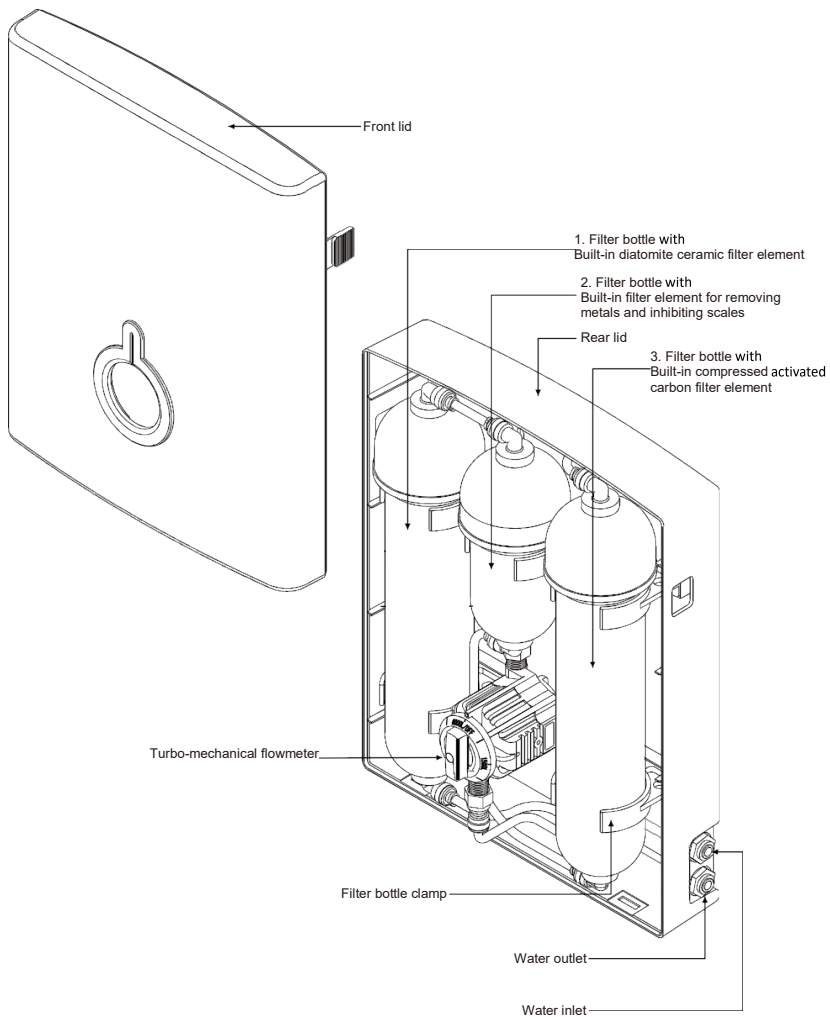
The device consists of housing, filter element, turbo-mechanical flowmeter, water inlet and outlet PE pipe, inlet 3-way ball valve, water purification faucet and other parts.



PART DESCRIPTION

Vitopure S4-C Drinking Water Purifier

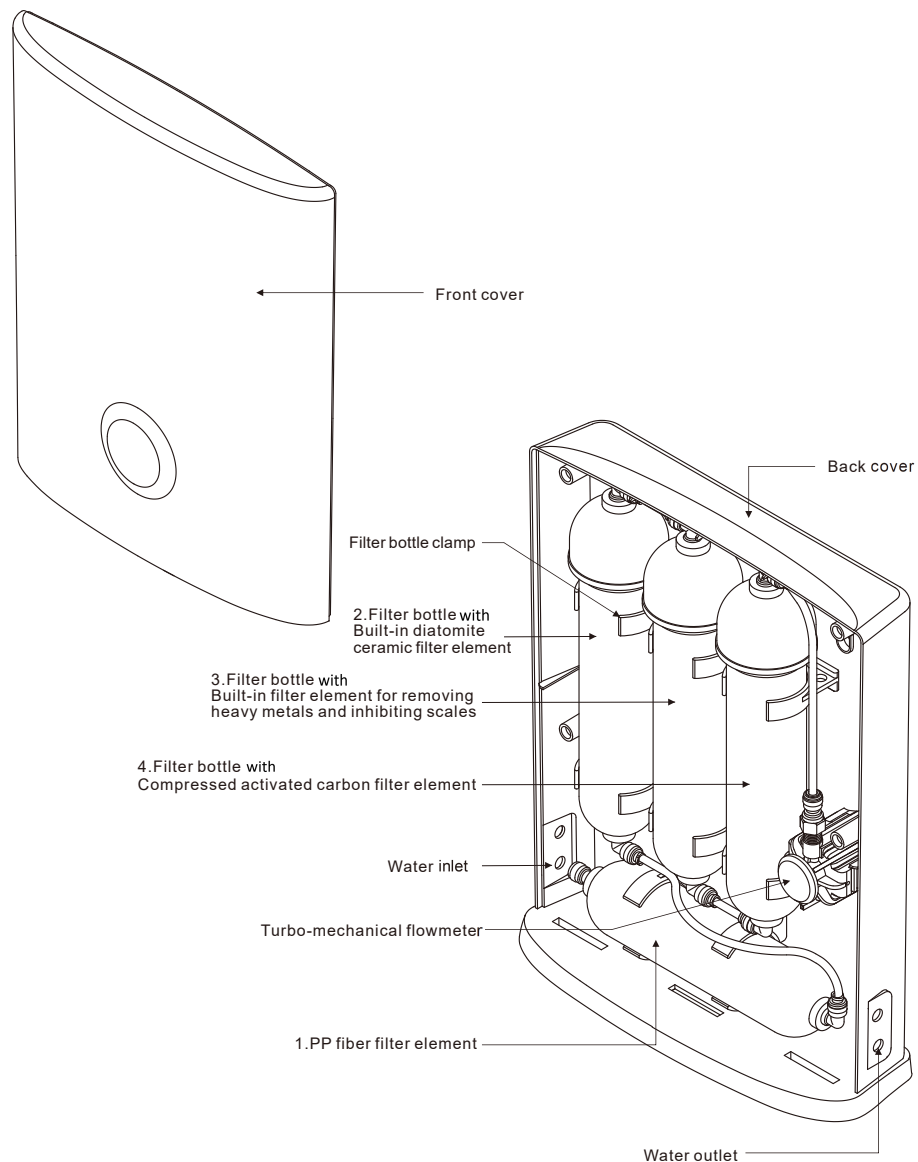
The Water Purifier consists of housing, filter bottle, filter element, water inlet and outlet PE pipe, inlet 3-way ball valve, turbo-mechanical flowmeter, water purification faucet and other parts.



PART DESCRIPTION

Vitopure S4-D Drinking Water Purifier

The device consists of housing, filter bottle, filter element, water inlet and outlet PE pipe, inlet 3-way ball valve, turbo-mechanical flowmeter, water purification faucet and other parts.



PRODUCT INSTALLATION

Note

Product Packing

Check whether the packing box is damaged, detached or loose during transportation or loading.

Unit & Accessories at packing

Check whether the device is damaged in the packing box. Check whether there is any missing of the items contained in packing box.

Vitopure S4-B:

1 Drinking Water Purifier, 1 Accessory Box, Containing: Water Purification Faucet, PE Water Pipe, 3-way Ball Valve
1 Installation And Service Manual, 1 Quality Certificate
1 Warranty Card

Vitopure S4-C, Vitopure S4-D:

1 Drinking Water Purifier, 1 Accessory Box, Containing: Water Purification Faucet, Piece Of Scouring Pad For Cleaning Filter Element, PE Water Pipe, Wrench For Maintaining Filter Element, 3-way Ball Valve, 1 Installation And Service Manual
1 Quality Certificate, 1 Warranty Card

Note

Precautions for installation

- The device is suitable for municipal tap water.
- Do not connect unsafe or unknown water source to the device for filtering.
- The product is used to deeply filter tap water.
- The working water temperature is 1-39°C. The device can not be installed on hot water pipeline.
- The device can be installed anywhere in domestic tap water pipe. However, it is recommended to install the device near kitchen sink for convenient installation and maintenance
- The device can be installed inside or outside the kitchen cabinet. If it is required to choose another special installation position, please contact local authorized service agency.
- Sufficient space is required for installation and operation during installation.
- Do not bend water inlet and outlet PE pipes to avoid affecting water flow.
- Consider the convenience of use during installation and length of PE water pipe during cleaning and maintenance. Make sure enough space is left.
- Water inlet and outlet interfaces, drain channels shall be provided around the installation position.
- The installation should be away from acid and alkaline substances or gases to avoid corrosion.
- If it is required to install the device outdoors, the device room should be built to avoid the device exposure to sun, rain, snow and other damages.
- The device and connecting fittings should be insulated in cold areas to prevent the device and connecting fittings from being broken.

Note

Please prepare all necessary materials and tools required for installation. Follow the steps required in the Installation and Service Manual for proper installation. Please consciously abide by national and local regulations on plumbing, electrical appliances and sanitation during installation. It is recommended to use the pipe fittings that meet the requirements specified in national standard Specifications for Evaluation on Sanitation and Safety of Drinking Water Distribution Equipment and Protective Materials.

Installation steps

1. Turn off the water main switch
2. Install 3-way ball valve
 - Select the installation position on the water inlet pipe.
 - Wrap thread seal tape around the outer thread of 3-way ball valve.
 - Connect the male thread of 3-way ball valve to water pipe and tighten it; otherwise it may cause water leakage.
 - Connect 3-way ball valve union to water supply pipe and screw it tightly. There is a water stop pad in the union, do not lose it! The water stop pad should lie flat in the union; otherwise it may cause water leakage.

3. Install a water purification faucet

The faucet accessory kit contains: faucet body, fixed film, soft rubber pad, hard rubber pad, steel sheet washer, fixing nut, PE water pipe and quick connector.

- Select the position for installing the water purification faucet.
- If a hole is left on the stainless steel basin for soap dispenser, the hole can be used as installation hole for the faucet. If there is no hole for soap dispenser on stainless steel basin, please make a hole on the selected position by using a hole opener in a diameter no less than 13mm.
- If the basin is made of artificial stone or marble, please choose a position for making a hole on the table top. Use an opener with a diameter of not less than 13mm to make holes.

4. Gooseneck faucet installation sequence

- Make a mounting hole in the installation position on the table top.
- Insert fixing film and soft rubber pad on the screw of the faucet screw in turn.
- Insert the screw of the faucet into the mounting hole.
- Insert hard rubber pad, steel sheet washer and fixing nut on the screw passing through the table top in turn and tighten them with a wrench.
- Insert the quick connector of PE water pipe into the screw of the faucet.

5. Connect 3-way ball valve to water purifier

- Measure the distance from the PE pipe joint of 3-way ball valve to the water inlet of the device. Then, cut a PE water pipe in the measured length. The length of PE pipe must be sufficient to ensure that the device can be maintained in a suitable space.
- Insert one end of PE water pipe into the PE pipe joint of 3-way ball valve.
- Insert the other end of PE water pipe into the water inlet of the device.

6. Connect water purifier to water purification faucet

- Measure the distance from the water outlet of water purifier to the water inlet of the faucet. Then, cut a PE water pipe in the measured length. The length of PE pipe must be sufficient to ensure that the device can be maintained in a suitable space.
- Insert one end of PE water pipe into the water outlet of the device.
- Insert the other end of PE water pipe into the quick connector on the screw of the faucet.

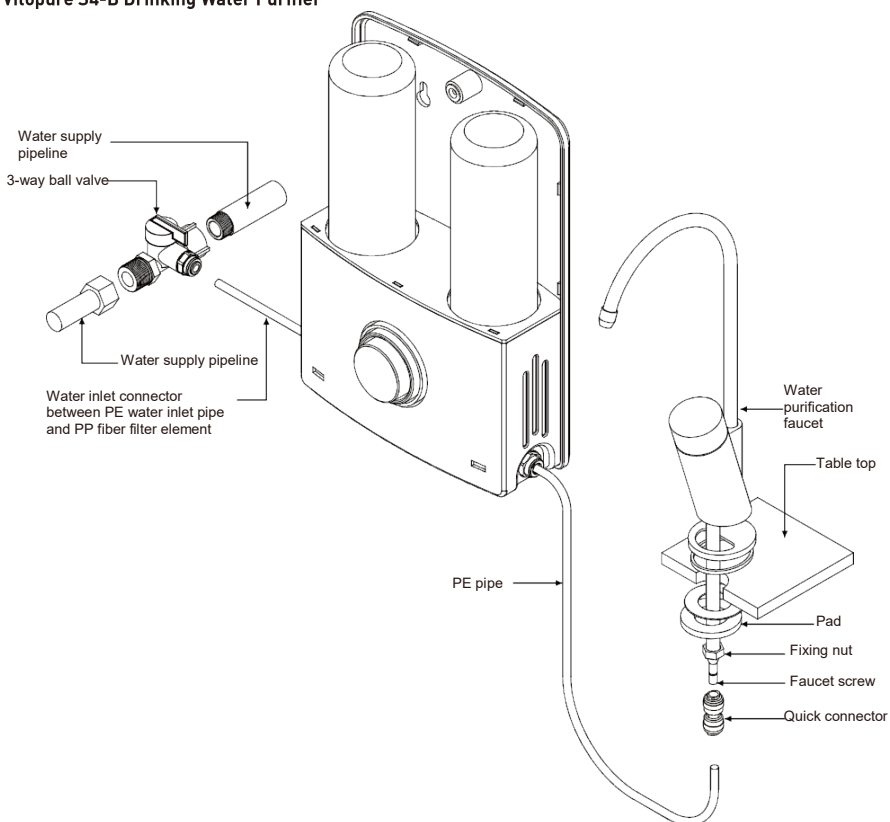
7. Place water purifier

There are two mounting holes for hanging on the bottom lid of the water purifier, so that the water purifier can be installed on the wall above the kitchen cabinet or in the kitchen cabinet.

- Installed on the wall
Select an appropriate position on the wall, drill a hole with an electric drill and place an expansion plug, screw the selftapping screw and make the screw exposed 5mm from the wall, so as to facilitate hanging.
- Installed in the kitchen cabinet
Select an appropriate position on the wall board in the kitchen cabinet, drill a hole with an electric drill and place an expansion plug, screw the self-tapping screw and make the screw exposed 5mm from the wall, so as to facilitate hanging.

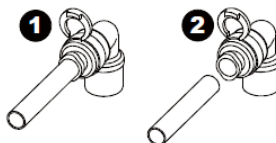
PRODUCT INSTALLATION

Vitopure S4-B Drinking Water Purifier



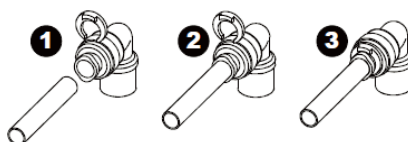
Separate push-in quick connector

1. Pull up the clamp between the connector body and the clamp.
2. Press the clamp to the connector body and pull out the PE pipe.



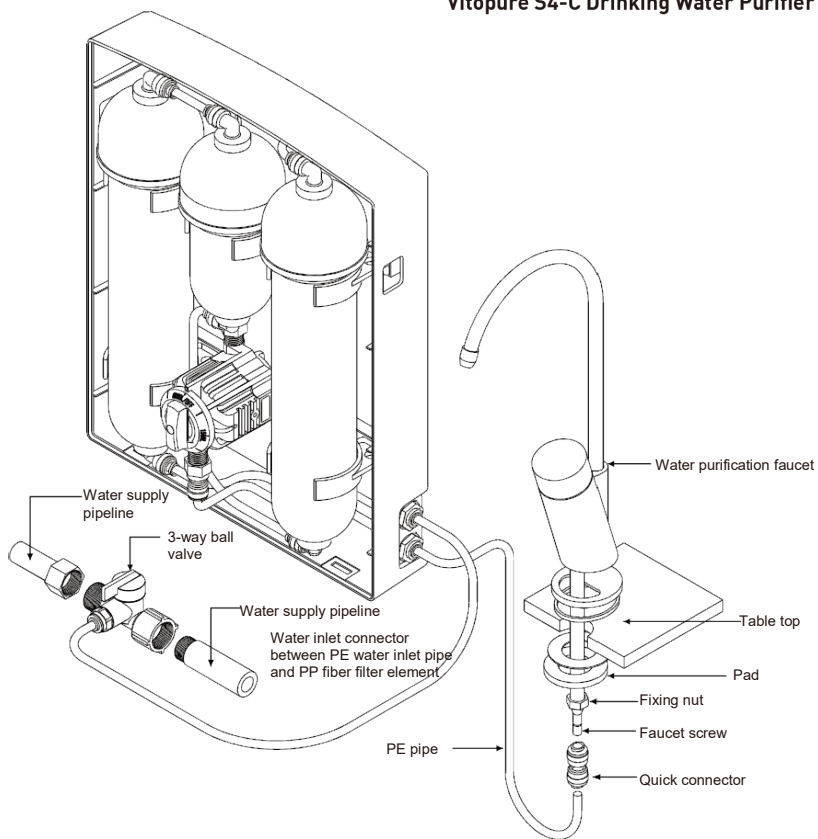
Connect to push-in quick connector

1. Prepare the PE pipe with flat ends.
2. Push the PE pipe into the clamp to the end. Pull the PE pipe with appropriate force to confirm the fixation.
3. Insert the buckle between the connector body and the clamp to achieve firm connection.



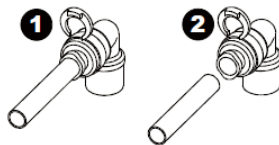
PRODUCT INSTALLATION

Vitopure S4-C Drinking Water Purifier



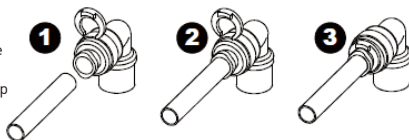
Separate push-in quick connector

1. Pull up the clamp between the connector body and the clamp.
2. Press the clamp to the connector body and pull out the PE pipe.



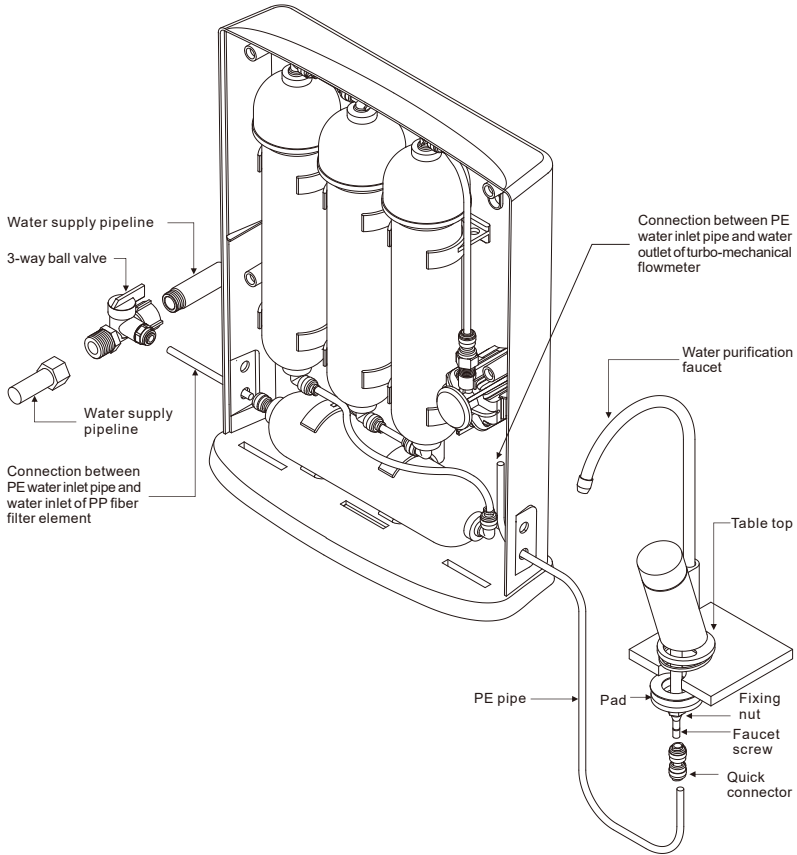
Connect to push-in quick connector

1. Prepare the PE pipe with flat ends.
2. Push the PE pipe into the clamp to the end. Pull the PE pipe with appropriate force to confirm the fixation.
3. Insert the buckle between the connector body and the clamp to achieve firm connection.



PRODUCT INSTALLATION

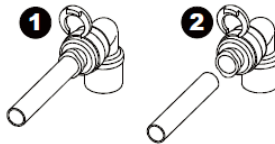
Vitopure S4-D Drinking Water Purifier



EN

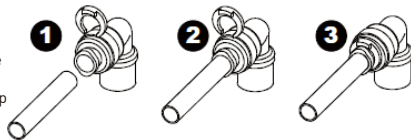
Separate push-in quick connector

1. Pull up the clamp between the connector body and the clamp.
2. Press the clamp to the connector body and pull out the PE pipe.



Connect to push-in quick connector

1. Prepare the PE pipe with flat ends.
2. Push the PE pipe into the clamp to the end. Pull the PE pipe with appropriate force to confirm the fixation.
3. Insert the buckle between the connector body and the clamp to achieve firm connection.



USE & MAINTENANCE

First Run



Note

Check tightness

Upon the completion of installation, slowly turn on the main water source switch and 3-way ball valve switch. Check the connections of 3-way ball valve, PE pipes at each inlet and outlet of water purifier, connection of the quick connector on the faucet screw one by one in the order of water inlet and outlet. Make sure the above connections are installed in a correct manner without water leakage

Initial use and start-up

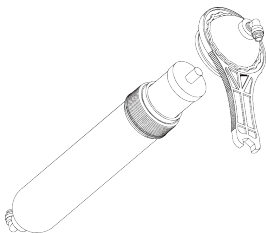
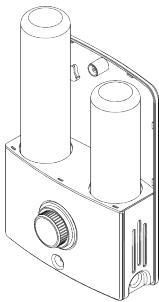
- When the device is used for the first time, please check all connecting fittings to make sure there is no water leakage.
- Slowly turn on the cleaning knob and check whether the drainage goes smoothly.
- Drain water for 10 minutes before normal use.

Debug flowmeter

The filter element in the device has a certain service life due to adsorption of sewage contained in water. The filtration effect will be reduced when it is out of service. It is possible to drink unfiltered water unknowingly.

The flowmeter will automatically record water usage. When the maximum water usage of the filter element is reached, the flowmeter will automatically cut off water supply and remind to replace the filter element.

When the flowmeter is initially installed, the dial scale points to OFF. After the water purifier is installed, turn the dial scale clockwise to point to 1500L, 3000L, 4500L, 6000L etc. After installation, the default scale is 6000L. It means that the flowmeter will stop water supply automatically when the water flow exceeds 6000L.



Replacement of filter element



Note

The device is used to remove sand, rust, suspended solids, microorganisms, residual chlorine, abnormal colors and odors, other sediments contained in water. If the water source itself contains viscous sediment, such as silt and clay etc., it is necessary to dismantle the device and clean the filter element on a regularly basis.

Replace filter element

Turn off 3-way ball valve of the device, turn on water purification faucet, release the pressure of the device and then turn off the water purification faucet.

Remove the filter element

S4-B

Remove the front lid of the device. Hold the upper end of the filter casing and rotate it counterclockwise, then pull it out.

S4-C and S4-D

Loosen short PE pipe connecting to filter casing and remove filter casing from the clamp. Hold the upper cover of the filter casing and rotate it counterclockwise until the upper cover of casing is unscrewed.

Note: The filter element is connected to the upper cover of filter casing now.

Re-install the filter element

S4-B

- After replacement of the filter element are completed, rotate the filter element back and rotate the upper end of the filter casing clockwise until it is tightened.
- After replacement, turn on the water outlet switch and check whether there is water leakage on each connecting part.
- Before the new filter element is used for the first time, please turn on the water purification faucet and make water flow 10 minutes before use.
- When it is required to replace filter element, please purchase the original one.

S4-C and S4-D

After maintenance and replacement of the filter element are completed, rotate the filter element back and rotate the upper end of the filter casing clockwise until it is tightened.

- Do not lose the sealing ring in the upper cover of filter casing to prevent water leakage.
- Please use the scouring pad provided. Do not stain with oil. Do not use detergent. Avoid contacting with hard objects or collision.
- Upon the completion of cleaning or replacement, turn on water outlet switch and check whether there is water leakage in each connection.
- Before the use of new filter element for the first time, turn on water faucet and make water flow 10 minutes.
- It is necessary to replace filter element, please purchase the original one.

USE & MAINTENANCE

Replace filter element (S4-C & S4-D)

Replace PP fiber filter element (S4-D)

Turn off 3-way ball valve before replacing or cleaning filter element.

- Open the front lid of the device.
- Pull out PE pipe from the quick connectors at both ends of PP fiber filter element.
- Remove PP fiber filter element from the clamp.
- Re-install new PP fiber filter element in the clamp.
- Screw the quick connectors at both ends of PP fiber filter element on PE pipe

Clean diatomite ceramic filter element

After the use of the device, the surface of ceramic filter element may isolate sand, rust and other dirt contained in water, reducing water flow. This indicates that the ceramic filter element needs to be cleaned and maintained in time.

- Turn off 3-way ball valve before replacing or cleaning filter element.
- Open the front lid of the device.
- Pull out the short PE pipe connected to heavy metal filter casing from the quick connector outlet at the upper end of the ceramic filter element casing.
- Remove the ceramic filter element casing from the clamp, insert the semicircular upper cover of filter casing with wrench and rotate counterclockwise until it is unscrewed.
- Pull out ceramic filter element carefully and avoid excessive force; otherwise, ceramic filter element may be broken.
- Scrub the dirt accumulated on the surface of ceramic filter element until the white ceramic filter element is cleaned.
- Rotate the cleaned ceramic filter element back to filter casing. Do not forget the sealing ring on filter casing; otherwise, it may cause water leakage.
- Tighten the semicircular upper cover of the filter casing clockwise with wrench and put filter casing back into the clamp. Insert the PE pipe into the quick connector at the upper end of the ceramic filter casing, so that the PE pipe is tightly connected to elbow connector.

Backwash to remove heavy metals and inhibit scales

After used for a certain period, the filter element in filter casing may be clogged with sediment. A backwash is to be carried out to separate and drain out the sediment from filter element with water flow under the force of water pressure.

- Turn off 3-way ball valve before replacing or cleaning filter element.
- Open the front cover of the device.
- Pull out the short PE pipe connected to the ceramic filter element from the quick connector inlet at the upper end of heavy metal filter casing.
- Remove the short PE pipe connected to the supercompressed activated carbon from the quick connector inlet at the lower end of heavy metal filter casing.
- Remove the short PE pipe connected to the supercompressed activated carbon from the quick connector inlet at the lower end of heavy metal filter casing.
- Pull out the inlet PE pipe of water purifier from the quick connector inlet at the lower end of ceramic filter casing and insert into the quick connector outlet at the lower end of heavy metal filter casing.
- Turn on the inlet ball valve and backwash for 10 minutes. Discharge the wastewater from the quick connector inlet at the upper end of heavy metal filter casing.
- Reset the PE pipe into the device after back-washing. Connect heavy metal filter casing to ceramic filter casing and super-compressed activated carbon filter casing respectively

Replace compressed activated carbon filter

- Turn off 3-way ball valve before replacing or cleaning filter element.
- Open the front lid of the device.
- Pull out the short PE pipe connected to heavy metal filter casing from the quick connector inlet at the lower end of the super-compressed activated carbon filter casing.
- Remove compressed activated carbon filter casing from the clamp, insert the semicircular upper cover of filter casing with wrench and rotate anticlockwise until it is unscrewed. Pull out the super-compressed activated carbon carefully and rotate the new filter element back to filter casing.
- Tighten the semicircular upper cover of filter casing clockwise with wrench and put filter casing back into the clamp. Insert the PE pipe into the quick connector at the lower end of the compressed activated carbon filter casing to maintain close connection between the PE pipe and the connector. Depending on water quality in local, the service life of this filter element is about one year as per 6000L water usage



Note

- After the device stops working for a certain period, an additional cleaning operation should be performed before reuse to ensure the quality of the produced water.
- If the water usage increases sharply (by comparing with normal water usage), it is required to shorten cleaning cycle and increase cleaning frequency.
- Rotate the cleaned filter element back to filter casing. Do not forget the sealing ring on filter casing; otherwise, it may cause water leakage.

NOTE :

VIESSMANN
VITOPURE

VIESSMANN

VITOPURE

VISSMANN GROUP
VISSMANNSTRASSE 1, 35108 ALLENDORF (EDER),
GERMANY