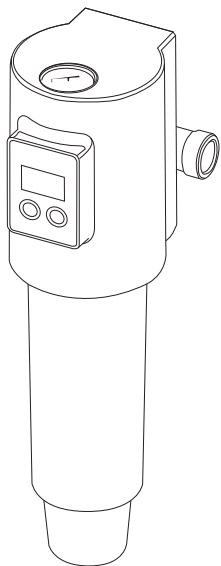


VIESSMANN

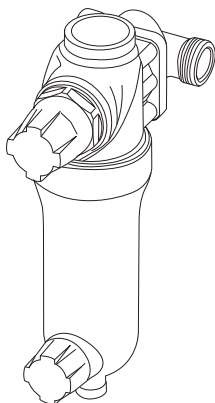
VITOPURE

MANUAL BOOK

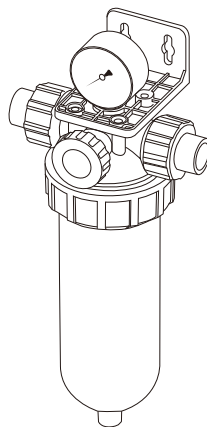
Vitopure S1-A , S1-M and S1-B Pre Filter



S1-A



S1-M



S1-B

Please read this manual carefully, before installation, usage and maintenance for this product.

SAFETY TIPS

Please strictly follow these safety tips to reduce the risk of electric shock, injury, fire, death and property damage.

Danger

It indicates a potential hazard that is highly likely to cause serious injury or death

Warning

It indicates a potential hazard that could result in serious injury or death

Note

It indicates a danger that could result in minor injury or property damage



This symbol is used to remind user of the prohibited operation steps.



This symbol is used to remind user of the operation steps that must be followed in order to operate this product in a safe manner.

NOTE

Target groups

This manual is intended for use only by the designated professionals. The first run should be performed by the device installer or its designated professionals

RULES AND REGULATION

- National regulation on installation
- National regulation on accident safety protection
- National regulation on environmental protection

DANGER

- Do not touch the power plug with wet hand; otherwise, it may cause electric shock. Do not use the power beyond the specified value of power supply or connecting equipment. Please use only 220V AC. The use of universal socket or equipment beyond the specified value may cause overheating and fire accident.
- Do not damage power cord and power adapter. The use of a damaged cord and power adapter may cause electric shock, short circuit or fire. Do not bundle the power cord when the device is used.
- When power adapter plug is removed, hold the plug by hand and do not pull power cord. If power cord is pulled out directly, it may cause a short circuit or damage the power cord, resulting in a fire or electric shock.
- Do not cut, modify, excessively distort, twist and pull power cord or place heavy objects on power cord and socket.
- Before the device is started, fully plug power adapter plug into power socket. If the plug is not fully inserted into the socket, it may cause electric shock or overheating, or even fire accidents.
- Do not use damaged power adapter plug or loose power socket.
- Please clean the power adapter plug on a regularly basis. If dust is accumulated on the plug, its moisture may damage the insulating part of plug and cause a fire accident.
- If the device is not used for a long time, remove power adapter.



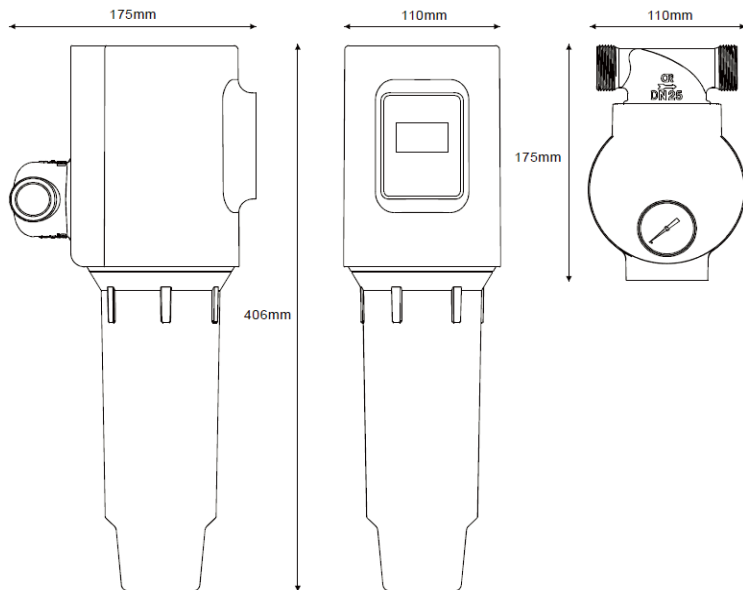
NOTE

PRECAUTIONS FOR INSTALLATION, MAINTENANCE AND USE

- The device is suitable for municipal tap water and ground well
- Do not connect unsafe or unknown water source to the device for filtering.
- The device is used to pre-filter tap water and the treated water is not available for direct drinking.
- The working water temperature is 1-39°C. The device can not be installed on hot water pipeline.
- The device is installed at the rear end of the main water meter. If other wading device is installed in the rear pipeline of the water meter, please ensure to install the device in the front of all wading devices.
- Maintenance valves should be installed between the device and main water meter and between the device and rear wading device.
- Sufficient space is required for installation and operation during installation.
- The installation should be away from acid and alkaline substances or gases to avoid corrosion.
- If it is required to install the device outdoors, the device room should be built to avoid the device exposure to sun, rain, snow and other damages.
- The device and connecting fittings should be insulated in cold areas to prevent the device and connecting fittings from being broken.
- The main water valve shall be turned off when the device is not used for a long time or the user is absent from home.
- Remove the power adapter plug when the device is not used for a long time or the user is absent from home.
- Please slowly turn on the main water valve before resuming use when the device is not used for a long time. Drain sewage and rinse the device once before re-use.
- The spare parts and wearing parts that do not compatible with the device or are not subject to inspection may affect the device function.
- The installation of unauthorized components or unauthorized changes or modifications to the device may affect operational safety and reduce warranty coverage.
- When any part is replaced, it is only allowed to use Viessmann original parts or the spare parts approved by Viessmann.
- Repairing the components with safety features may affect the safe operation of the device. Defective parts must be replaced with the original Viessmann parts.

PRODUCT DESCRIPTION S1 -A

Vitopure S1-A Automatic Pre-filter Water Purifier



EN

TECHNICAL DATA

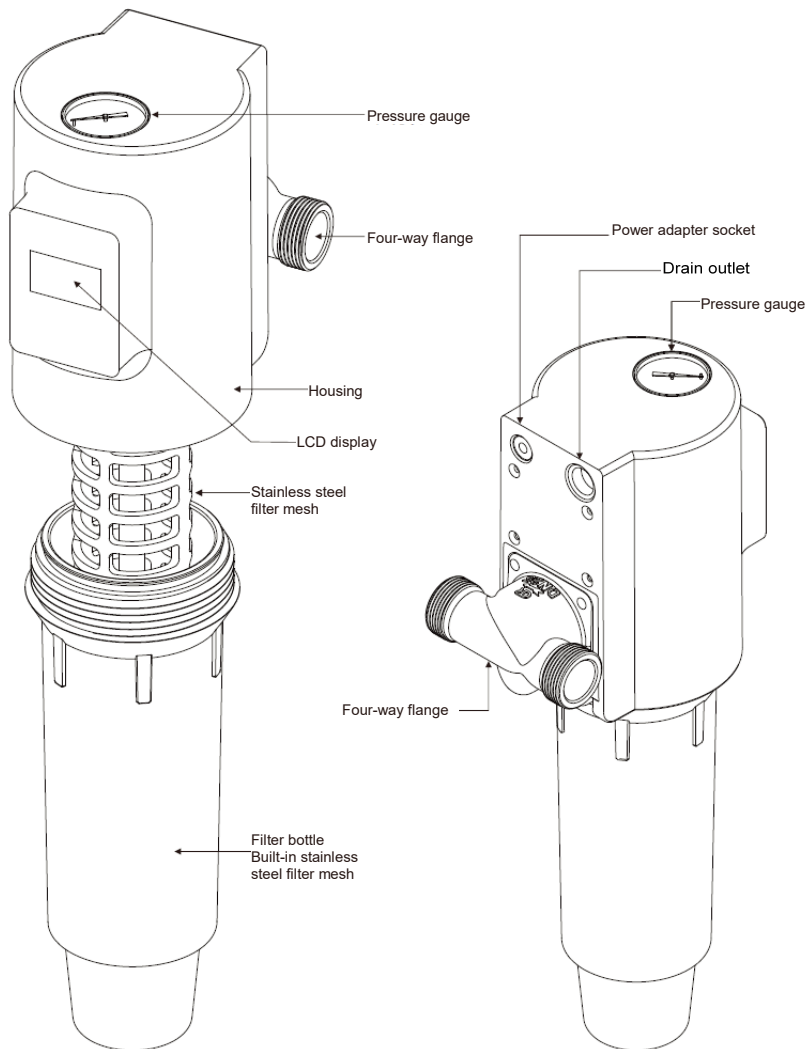
Vitopure S1-A Automatic Pre-filter Water Purifier

The device is installed after the main water meter and in the front of all wading devices. It is the first step filtration for whole house water. The stainless steel filter mesh is used to intercept the impurities such as silt, rust and large suspended solids contained in water. The electronic control system is used to set the rinse cycle and rinse times. When the rinse time is reached,

Inlet water	: Municipal tap water & Ground water
Filter material	: Stainless steel filter mesh
Filtration flow	: 83 litre/minute
Working pressure	: 1 - 16 Bar
Water inlet and outlet pipe	: DN20
Drain pipe	: DN10
Working temperature	: 1-39°C
Power input	: AC100-240V 50/60Hz
Power output	: DC6V ≈1000mA

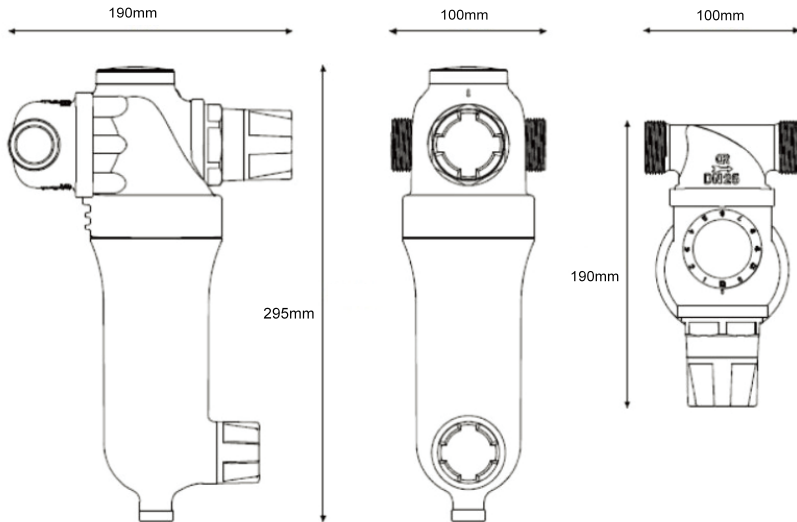
PART DESCRIPTION

The device consists of housing, filter bottle, stainless steel filter mesh, valve body, controller, electric valve, four-way flange, union, drain quick joint, drain pipe, pressure gauge, LCD display and other parts.



PRODUCT DESCRIPTION

Vitopure S1-M Regulated Pre-filter Water Purifier



Technical data

Vitopure S1-M Regulated Pre-filter Water Purifier

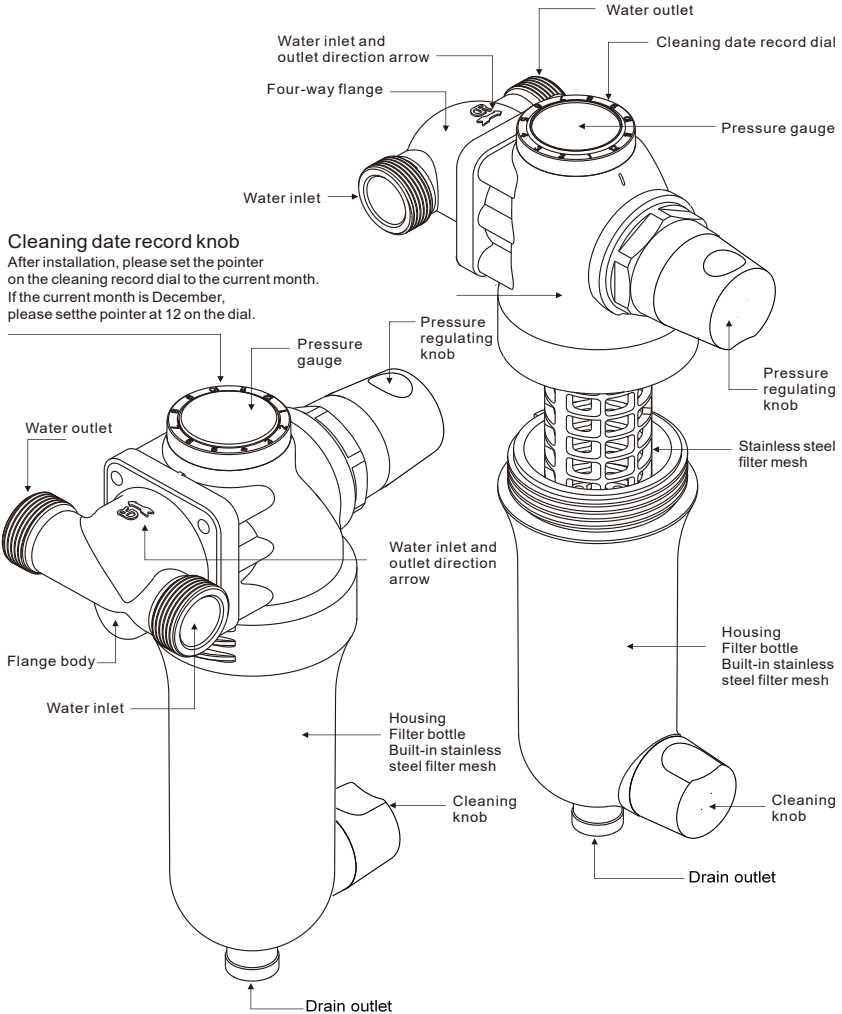
The device is installed after the main water meter and in the front of all wading devices. It is the first step filtration for whole house water. The stainless steel filter mesh is used to intercept the impurities such as silt, rust and large suspended solids contained in water. It can be washed to flush out intercepted dirt from the drain pipe on a regularly basis.

The regulator can stabilize water pressure, adjust water pressure fluctuation and avoid water hammer. The pressure gauge at the top of the device can accurately read the water pressure at the outlet.

Inlet water	: Municipal tap water & Ground water
Filter material	: Stainless steel filter mesh
Filtration flow	: 83 liter/minute
Working pressure	: 1 - 16 Bar
Water inlet and outlet pipe	: DN20
Drain pipe	: DN10
Working temperature	: 1 - 39°C

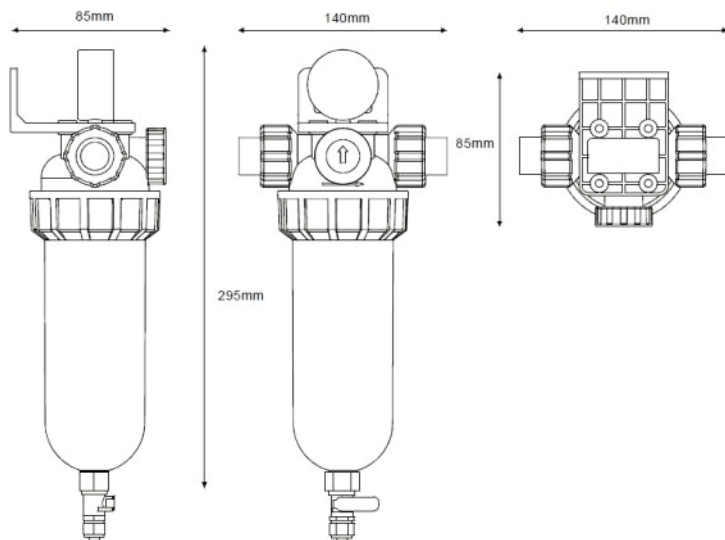
PART DESCRIPTION

The device consists of housing, filter bottle, stainless steel filter mesh, valve body, pressure reduction valve, four-way flange, union, drain quick joint, drain pipe, pressure gauge and other parts.



PART DESCRIPTION

Vitopure S1-B Regulated Pre-filter Water Purifier



TECHNICAL DATA

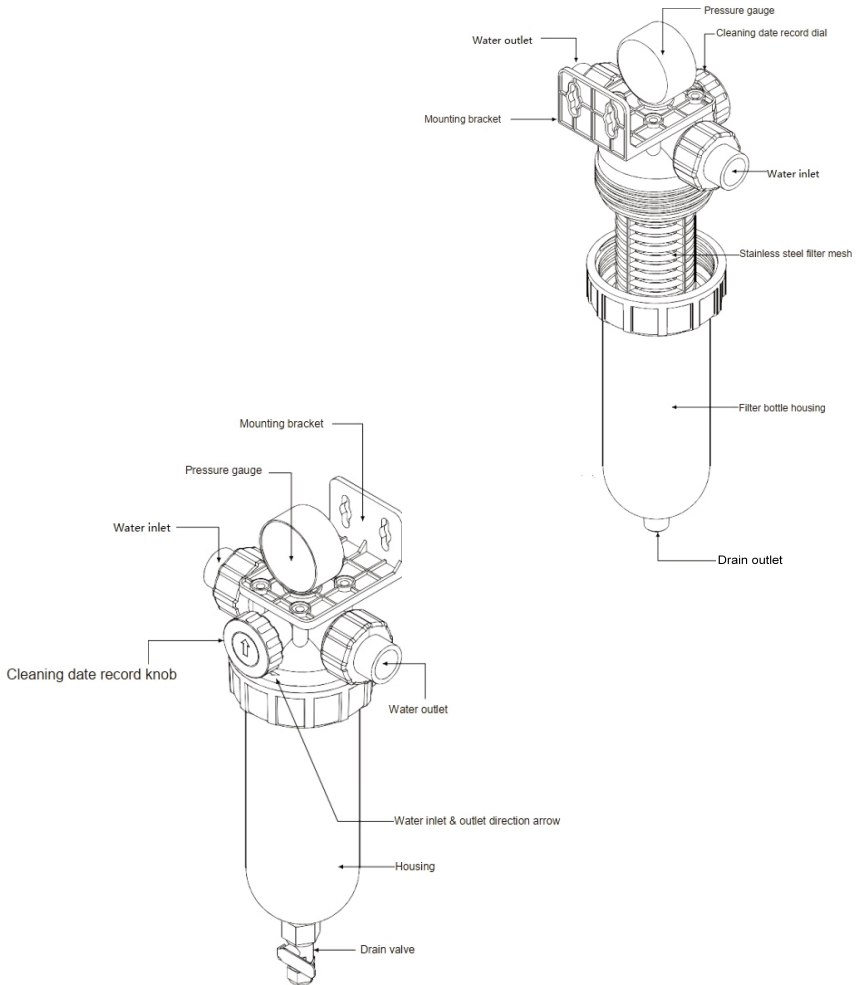
Vitopure S1-B Regulated Pre-filter Water Purifier

The device is installed after main water meter and in the front of all wading devices. It is the first step filtration for whole house water. The stainless steel filter mesh is used to intercept the impurities such as silt, rust and large suspended solids contained in water. It can be rinsed on a regular basis to flush the intercepted dirt out of the drain pipe.

Inlet water	: Municipal tap & Ground water
Filter material	: Stainless steel filter mesh
Filtration flow	: 83 liter/minute
Working pressure	: 1 - 16 Bar
Water inlet and outlet pipe	: DN20
Drain pipe	: DN10
Working temperature	: 1 - 39°C

PART DESCRIPTION

The device consists of filter bottle housing, stainless steel filter mesh, drain valve, drain pipe, pressure gauge, mounting bracket and other parts.



PRODUCT INSTALLATION

NOTE :

Product Packaging

Check whether the packing box is damaged, detached or loose during transportation or loading

Inspection on items contained in packing box

Check the condition of the product
Check for any missing part of the product

Vitopure S1-A

- 1 Automatic pre-Filter water
- 1 Four-way flange joint
- 1 Flange gasket
- 4 Flange hexagon socket bolts
- 1 Long union
- 1 Short union
- 2 Quick joint rings
- 1 Hexagon wrench
- 1 Drain pipe
- 1 Quick plug drain joint
- 1 Power adapter
- 1 Manual Book
- 1 Quality certificate
- 1 Warranty Card

Vitopure S1-M

- 1 Regulated Pre-filter
- 1 Four-way Flange Joint
- 1 Flange Gasket
- 4 Flange Hexagon Socket Bolts
- 2 Unions
- 2 Union Sealing Rings
- 1 Hexagon Wrench
- 1 Drain Pipe
- 1 Installation And Service Manual
- 1 Quality Certificate
- 1 Warranty Card

Vitopure S1-B

- 1 Pre-filter Water Purifier
- 1 Drain Valve
- 1 Drain Pipe
- 1 Installation And Service Manual
- 1 Quality Certificate
- 1 Warranty Card

NOTE :

Inspection on installation environment

- The device is suitable for municipal tap water and ground well
- Do not connect unsafe or unknown water source to the device for filtering.
- The device is used to pre-filter tap water and the treated water is not available for direct drinking.
- The working water temperature is 1-39°C. The device can not be installed on hot water pipeline.
- The device is installed after the main water meter. If other wading device is installed at the rear end of the water meter, please ensure to install the device in the front of all wading devices. Main water meter and between the device and rear wading device.
- Sufficient space is required for installation and operation during installation.
- Water inlet and outlet interfaces, drain channels and 220V power supply shall be provided around the installation position.
- The installation should be away from acid and alkaline substances or gases to avoid corrosion.
- If it is required to install the device outdoors, the device room should be built to avoid the device exposure to sun, rain, snow and other damages.
- The device and connecting fittings should be insulated in cold areas to prevent the device and connecting fittings from being broken.

NOTE :

Before Installation

- Turn off the main water inlet valve. Install the device in the selected location.
- Adjust the direction of the inlet and outlet of connection flange by the water supply direction of water supply pipe.
- Arrange connecting fittings as close to the wall as possible.
After pipe laying, fix the connecting fittings on the wall with pipe clamps. When the fittings is connected, pay attention to measuring the height and angle. No obvious stress is allowed after connections, so as to avoid pipeline damage and leakage due to stress during long-term use.

NOTE :

- Please prepare all necessary materials and tools required for installation.
- Follow the steps required in the Installation and Service Manual for proper installation.
- Please consciously abide by national and local regulations on plumbing, electrical appliances and sanitation during installation.
- It is recommended to use the pipe fittings that meet the requirements specified in national standard Specifications for Evaluation on Sanitation and Safety of Drinking Water Distribution Equipment and Protective Materials.

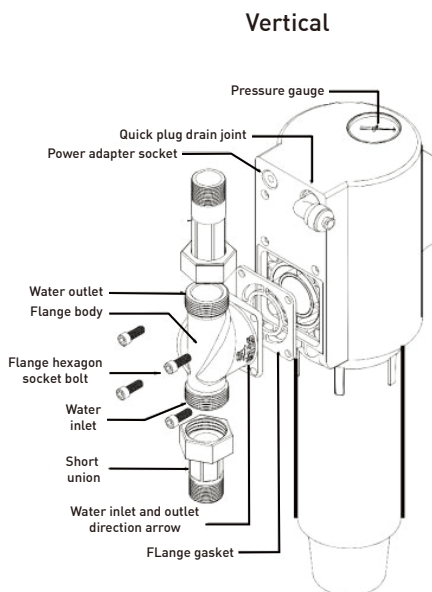
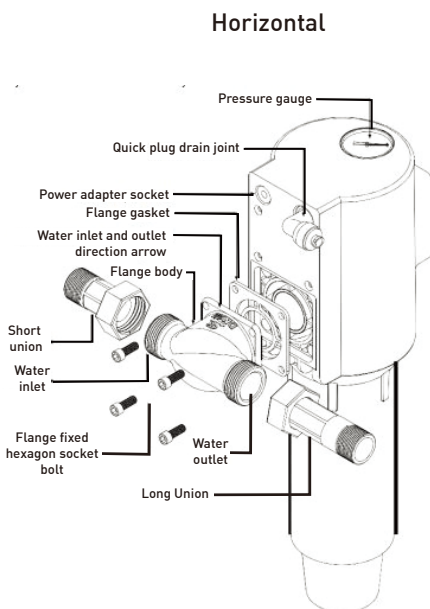
PRODUCT INSTALLATION

Vitopure S1-A Automatic Pre-filter Water Purifier

⚠ NOTES :

Installation of water supply pipeline in horizontal and vertical direction

- When the water supply pipeline is horizontal, pay attention to the water inlet and outlet direction arrow marked on the flange body. Likewise for water entering vertically
- Rotate the flange body in the water flow direction of water supply pipeline to adapt the installation direction.
- Put the flange gasket, align and press the flange body tightly, screw four flange fixed hexagon socket bolts and tighten them with hexagon wrench.
- Install the quick joint at the inlet and outlet of the flange body and put the quick joint ring during installation. After unions are screwed into the water inlet and outlet of the flange body, tighten them with a wrench.
- There are two unions, one is long and the other is short. They can be installed at either the inlet or outlet of the flange body when the device is installed horizontally.



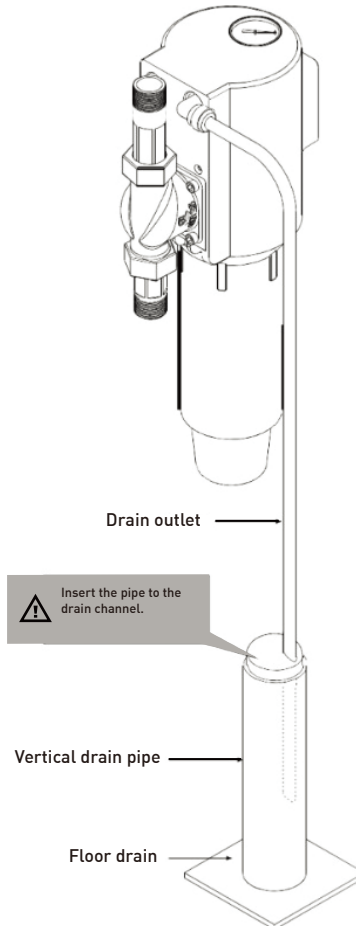
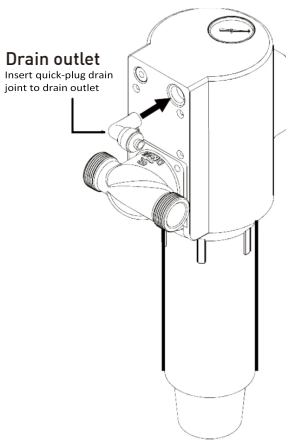
PRODUCT INSTALLATION

Installation of drain pipe



NOTES :

- Insert the quick-plug drain joint into the drain outlet of the device.
- Insert one end of the drain pipe into the quick-plug drain joint and the other end into the vertical drain pipe.
- Properly discharge the waste water discharged during sedimentation and rinse through a drain pipe.
- It is recommended to provide floor drain near the device, water outlet of washing machine and vertical drain pipe.
- Cut the drain pipe in proper length by the actual needs. It is avoided to be longer than 3m.
- Drain pipe should be as less curved as possible.
- All types of valves shall not be installed in drain pipe.
- The drain pipe must be fastened, because water will flow out of the sewage outlet at a high velocity during rinse. The drain pipe should be inserted into the vertical drain pipe, but must not be inserted to the end. The drain pipe should be sealed with sealant in its surrounding area.

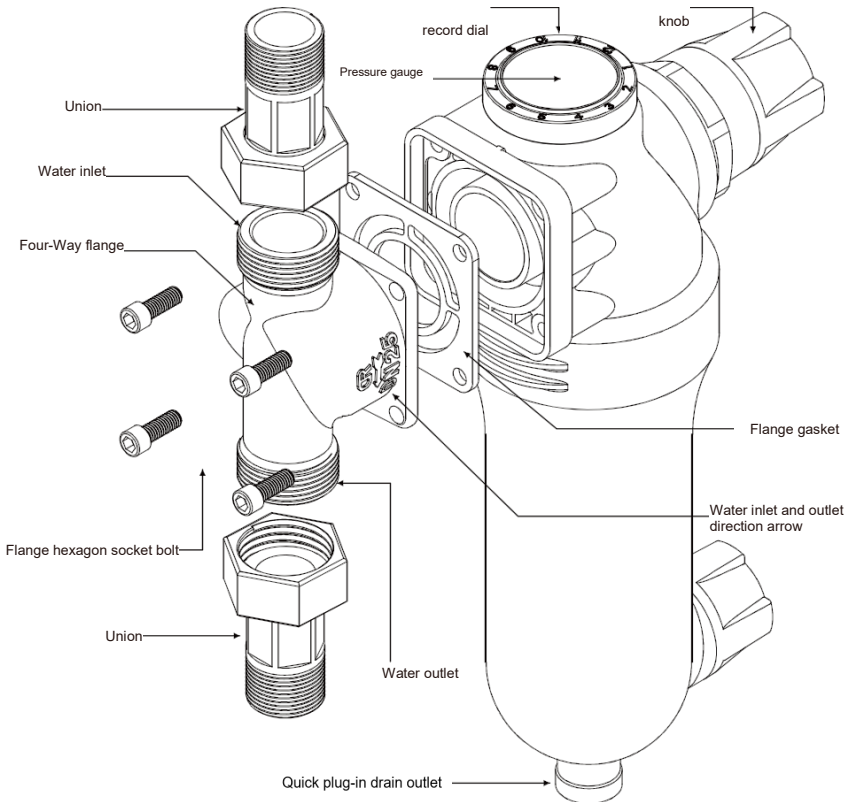


PRODUCT INSTALLATION

Vitopure S1-M Regulated Pre-filter Water Purifier

Installation of water supply pipeline in horizontal direction

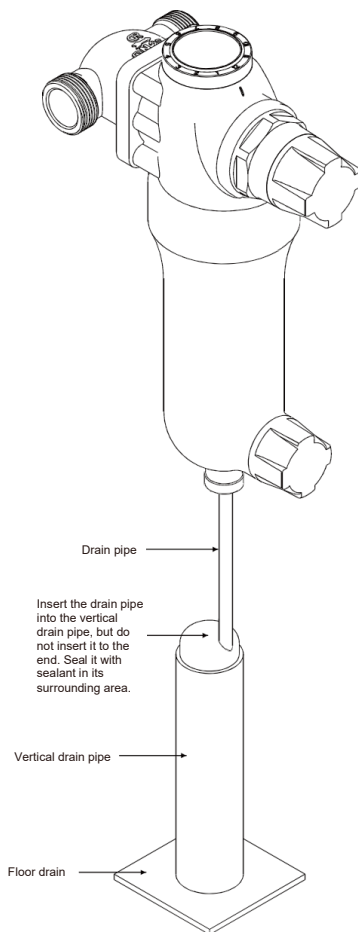
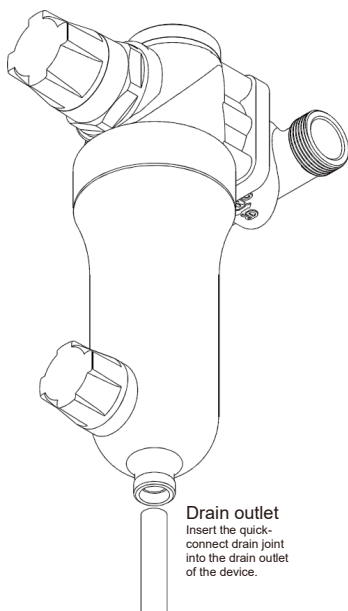
- When the water supply pipeline is horizontal, pay attention to the water inlet and outlet direction arrow marked on the flange body. likewise for water entering vertically
- Rotate the flange body to the water flow direction of water supply pipeline to adapt the installation direction.
- Put the flange gasket, align and press the flange body tightly, screw four flange fixed hexagon socket bolts and tighten them with hexagon wrench.
- Install unions at the inlet and outlet of the flange body and put the quick joint ring during installation. After unions are screwed into the water inlet and outlet of the flange body, tighten them with a wrench.
- There are two unions, which can be installed at the inlet or the outlet of the flange body when the device is installed horizontally.



PRODUCT INSTALLATION

Drain Pipe Installation

- Insert the quick-plug drain joint into the drain outlet of the device
- Insert one end of the drain pipe into the quick-plug drain joint and the other end into the vertical drain pipe
- It is recommended to provide floor drain near the device, water outlet of washing machine and vertical drain pipe
- Cut the drain pipe in proper length by the actual needs. Avoid having it longer than 3m
- Drain pipe should be as less curved as possible
- All types of valves shall not be installed in drain pipe
- Drain pipe must be fastened because water will flow out of the sewage outlet at a high velocity during rinse



PRODUCT INSTALLATION

Vitopure S1-B Regulated Pre-filter Water Purifier

NOTES:

Installation of water supply pipeline in horizontal direction

- When the water supply pipeline is horizontal, pay attention to the water inlet and outlet direction arrow marked on the body of the device.
- Rotate the device to the water flow direction of water supply pipeline. At the same time, adjust the direction of mounting bracket and pressure gauge to adapt the installation direction

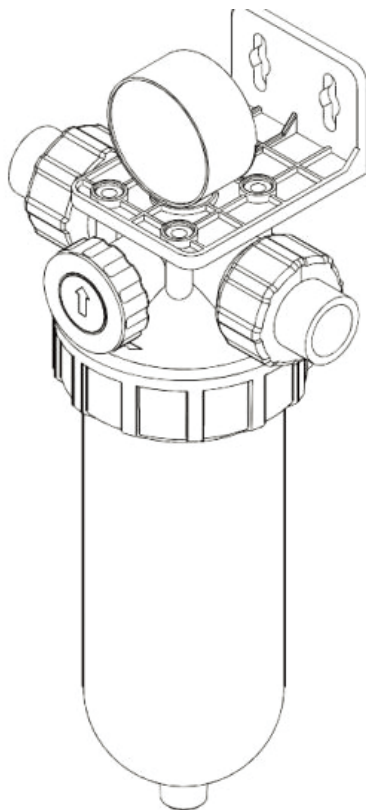
Horizontal installation in positive direction

- The direction of water flow is from left to right by facing the device. It is unnecessary to adjust pressure gauge and mounting bracket.

Horizontal installation in reverse direction

The direction of water flow is from right to left by facing the device. The direction of pressure gauge and mounting bracket should be adjusted.

- Unscrew pressure gauge.
- Use a screwdriver to remove four fixing screws secured the mounting bracket.
- Remove mounting bracket and adjust the direction.
- Re-mount the fixing screws.
- Re-mount pressure gauge and note that the dial should face outward

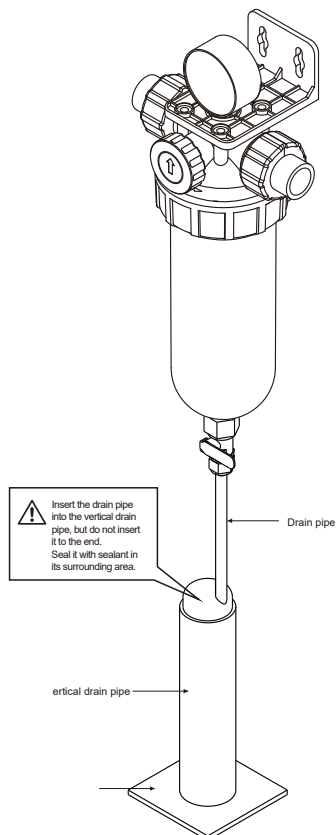


PRODUCT INSTALLATION

NOTE :

Installation of drain pipe S1-B

- Install the drain valve on the drain outlet at the bottom of the device. Prior to installation, wind thread seal tape around the drain outlet thread for about 25 turns.
- Unscrew the fixed nut on the drain valve.
- Put the fixed nut into one end of the drain pipe and then turn the fixed nut back to the drain outlet.
- Insert the other end of the drain pipe into the vertical drain pipe.
- Properly discharge the waste water during sedimentation and rinse through a drain pipe.
- It is recommended to provide floor drain near the device, water outlet of washing machine and vertical drain pipe, but must not be inserted to the end. The drain pipe should be sealed with sealant in its surrounding area.



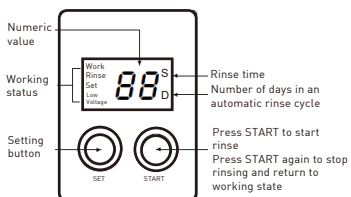
CONTROL OPERATION

Description of controller panel and buttons

LCD Backlight

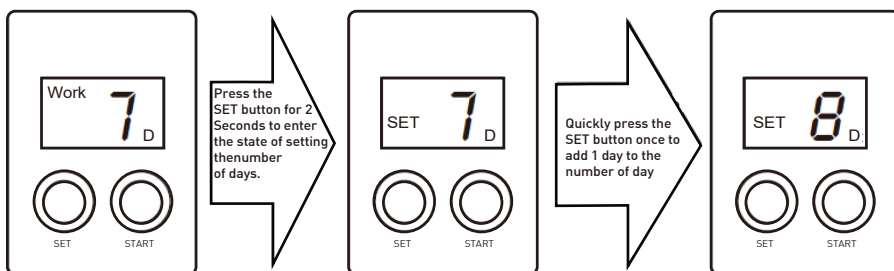
LCD backlight may be turned on by touching any button.

LCD backlight may be turned off automatically without any button operation within 10 seconds



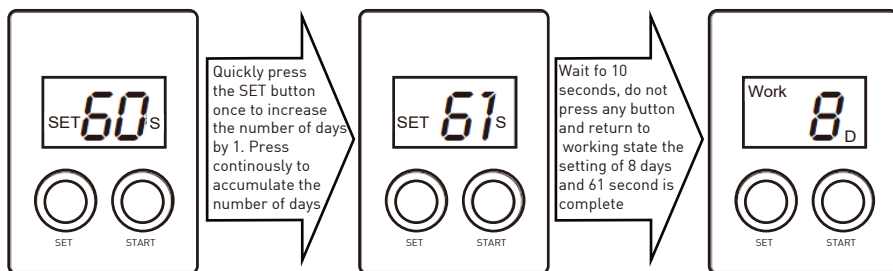
Set number of days in a rinse

1. Press and hold the "SET" button for more than 2 seconds and release it when the "SET" program is displayed. Enter the "SET" program and display the number of days in current automatic rinse cycle.
2. Each time press the "SET" button once, the number of days will increase by one day. The range of the number of days is set 0 to 30 days. After the number of days reaches 30, it will return to 0 automatically.
3. When the value is set to 0, automatic rinse function will be turned off. Manual rinse function is still available at this moment.
4. The number of days will be displayed on the screen after the input is completed. Please wait for 10 seconds. Do not press any button until the "Work" program is displayed.



Set rinse times

1. After the number of days is input, press the "START" key without waiting for 10 seconds, then set the number of days in an automatic rinse cycle and enter into the rinse time setting program. Display the currently-set rinse time, such as "60 seconds".
2. Each time you press the "SET" button, the rinse time will increase by 1 second. The range of the seconds setting value is 0 to 99. After the number of days reaches 99, it will return to 0 automatically.
3. The number of seconds will be displayed on the screen after the input is completed. Please wait for 10 seconds. Do not press any key until "Work" program is displayed.
4. When the rinse seconds is set, wait for 10 seconds and do not press any button until the "Work" status is displayed and the rinse seconds are set. The screen displays the number of days of the set rinse cycle, such as "8 days".
5. When the program is displayed in the rinse seconds setting state, press the "Set" key to enter the setting state of the automatic rinse cycle and save the set seconds.



Set the specific time of starting rinse program

If it is required to start the automatic rinse at a specific time of the day, just reset the number of days at the moment. Wait for 10 seconds after entering the "Set" interface for number of days.

First run

NOTE

Check tightness

- After installation, slowly turn on the valve on the main water supply line.
- Inspect all pipe connections involved in the installation process for water leakage.
- Make sure the circuit system is dry before it is powered.

INSTALL POWER ADAPTOR (S1 - A)

- Power adaptor is available inside the box.
- Insert the round plug at the output end of the power adaptor into the power input hole on the filter.
- Connect the power adapter to a power outletadapter

Initial use and start up (S1 - A)

- When the device is used for the first time, please check all connecting fittings to make sure there is no water leakage.
- Connect to power supply. The device enters the working state. The device display shows the default number of days in an automatic rinse cycle.
- Make proper adjustment by the actual situation.

Manual rinse (S1 - A)

- After the initial use and start-up, please start the manual rinse function.
- When the device is in the "Work" procedure, press the "START" button to enter the "Rinse" procedure. The rinse pattern in the display screen flashes in cycles.
- Start to rinse at the set time.
- If the device is in the "Rinse" state, press the "START" button to close the electric ball valve and stop rinse.
- The "SET" button is invalid in the "Rinse" state.
- Regardless of whether the automatic rinse function is turned on, it can start the manual rinse function at any time.

NOTE

Initial use S1 - M & S1 - B

- When the device is used for the first time, please check all connecting fittings to make sure there is no water leakage.
- Slowly turn on the cleaning knob and see whether the drainage goes smoothly
- Check the pressure value displayed on the pressure gauge
- Turn pressure regulating knob and check pressure change.

After installation, please set the pointer on the cleaning date record dial to the current month. If the current month is December, please set the pointer at 12 on the dial

MAINTENANCE OF FILTER

NOTE

The device is used to reduce sand, gravel, debris, pipe walls and other water sedimentation contained in water. If the water source itself contains viscous sediment, such as silt and clay etc, it is necessary to dismantle the device and clean the filter mesh on a regularly basis.

Clean stainless steel filter mesh

It is necessary to clean the stainless steel filter mesh, especially when the inflow water contains more clay or silt, it is required to remove the filter shell and clean the filter mesh more frequently in order to prevent a large amount of sediment from blocking the filter

- Before the main water inlet valve is turned off, prepare a bucket of clean water to clean the filter mesh.
- Turn off the main water inlet valve.
- Turn on any cold water tap located downstream of the device pipeline, depressurize the device and then turn off the tap.
- Unscrew the filter bottle from the body clockwise.
- Remove stainless steel filter mesh.
- Use prepared water to clean the device and use a brush to clean the sediment that has stuck on the filter mesh.
- Install stainless steel filter mesh after cleaning.
- Turn on the tap downstream of the device pipeline.
- Turn on the main water inlet valve.
- Turn off the valve on the outlet.
- Turn off the tap downstream of the device pipeline after it is seen that the outlet water is stable.
- Check whether there is water leakage at the thread of the filter bottle and tighten it if necessary

VIESSMANN
VITOPURE

VIESSMANN
VITOPURE

VIESSMANN

VITOPURE

VIESSMANN GROUP
VIESSMANNSTRASSE 1, 35108 ALLENDORF (EDER),
GERMANY