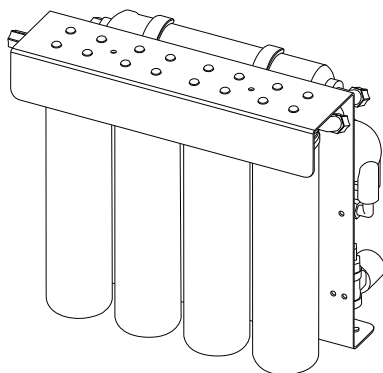


VIESSMANN

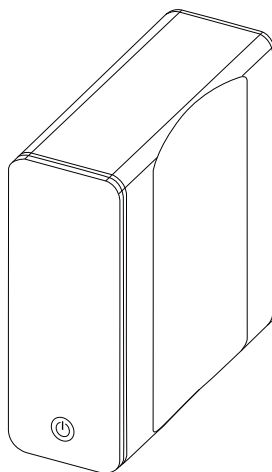
VITOPURE

MANUAL BOOK

VITOPURE S4-R0-U, VITOPURE S4-R0-800G



VITOPURE S4-R0-U



VITOPURE S4-R0- 800G

Please read this manual carefully, before installation, usage and maintenance for this product.

SAFETY TIPS

Please strictly follow these safety tips to reduce the risk of electric shock, injury, fire, death and property damage.

Danger

It indicates a potential hazard that is highly likely to cause serious injury or death

Warning

It indicates a potential hazard that could result in serious injury or death

Note

It indicates a danger that could result in minor injury or property damage.



This symbol is used to remind user of the prohibited operation steps.



This symbol is used to remind user of the operation steps that must be followed in order to operate this product in a safe manner.

Note

Target

This manual is intended for use only by the designated professionals. The first run should be performed by the device installer or its designated professionals

Rules and Regulation

- National regulation of installation
- National regulation on accident safety protection
- National regulation on environmental protection

Danger

- Do not touch the power plug with wet hand; otherwise, it may cause electric shock
- Do not use the power beyond the specified value of power supply or connecting equipment. Only use 220-240V AC power supply. The use of universal socket or equipment beyond the specified value may cause overheating and fire accident.
- Do not damage power cord and power adapter. The use of a damaged cord and power adapter may cause electric shock, short circuit or fire. Do not bundle the power cord when the device is used
- When power adapter plug is removed, hold the plug by hand and do not pull power cord. If power cord is pulled out directly, it may cause a short circuit or damage the power cord, resulting in a fire or electric shock.
- Do not cut, modify, excessively distort, twist and pull power cord or place heavy objects on power cord and socket
- Before the device is started, fully plug power adapter plug into power socket. If the plug is not fully inserted into the socket, it may cause electric shock or overheating, or even fire accidents.
- Do not use damaged power adapter plug or loose power socket.
- Please clean the power adapter plug on a regularly basis. If dust is accumulated on the plug, its moisture may damage the insulating part of plug and cause a fire accident
- If the device is not used for a long time, remove power adapter.

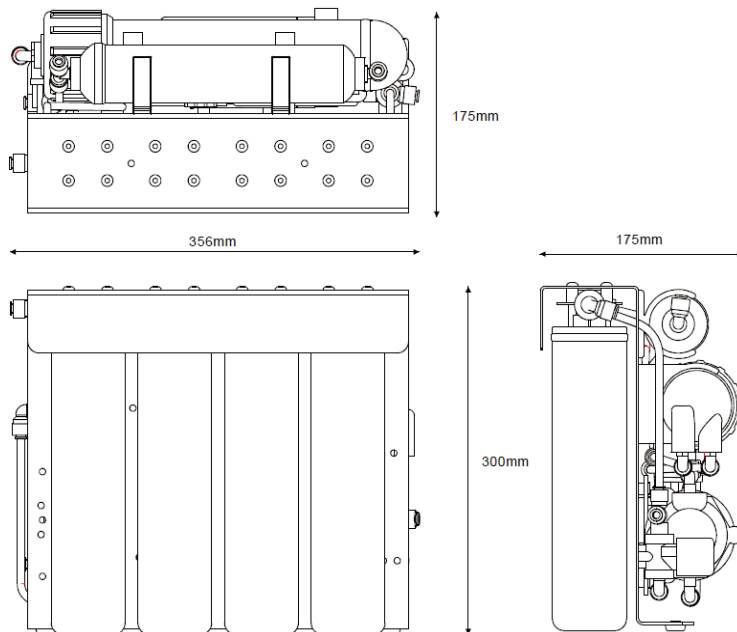
Note

Precautions for installation, maintenance and use

- The device is suitable for municipal tap water.
- Do not connect unsafe or unknown water source to the device for filtering.
- The device is used to pre-filter tap water and the treated water is available for direct drinking
- The working water temperature is 1-39°C. The device can not be installed on hot water pipeline.
- The device can be installed anywhere in domestic tap water pipe. However, it is recommended to install the device near kitchen sink for convenient installation and maintenance
- Maintenance valves should be installed between the device and main water meter and between the device and rear wading device.
- Sufficient space is required for installation and operation during installation.
- Sufficient space is required for installation and operation during installation.
- If it is required to install the device outdoors, the device room should be built to avoid the device exposure to sun, rain, snow and other damages
- The device and connecting fittings should be insulated in cold areas to prevent the device and connecting fittings from being broken.
- Turn off main water valve when the device is not used for a long time or the user is absent from home.
- Remove the power adapter plug when the device is not used for a long time or the user is absent from home.
- Please slowly turn on the main water valve before resuming use when the device is not used for a long time. Drain sewage and rinse the device once before re-use.
- The spare parts and wearing parts that do not compatible with the device or are not subject to inspection may affect the device function.
- The installation of unauthorized components or unauthorized changes or modifications to the device may affect operational safety and reduce warranty coverage.
- When any part is replaced, it is only allowed to use Viessmann original parts or the spare parts approved by Viessmann.
- Repairing the components with safety features may affect the safe operation of the device. Defective parts must be replaced with the original Viessmann parts.

PRODUCT DESCRIPTION

Vitopure S4-R0-U Drinking Water Purifier



TECHNICAL DATA

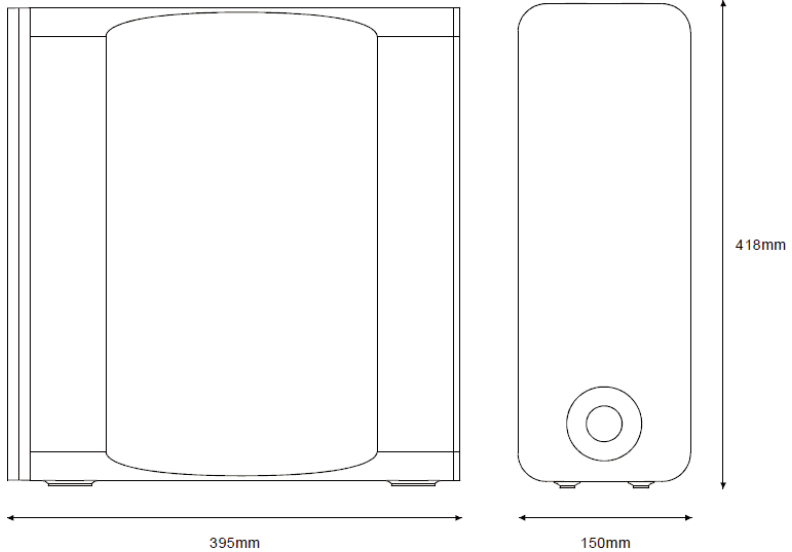
Vitopure S4-R0- U Drinking Water Purifier

The device is installed after the main water meter and can conduct secondary deep purification treatment on municipal tap water. The device uses reverse osmosis separation membrane technology. Relying on the booster pump to apply pressure to raw water, the device makes raw water pass through the reverse osmosis membrane to filter the hazardous substances contained in raw water

Product model	: Vitopure S4-R0-U
Water inlet	: Municipal tap water
Filter	: PP fiber Coconut shell activated carbon Compressed activated carbon Activated carbon with scale inhibitor RO membrane Compressed activated carbon
Flow rate	: 2,2 liter / minutes
Working pressure	: 1 - 6,5 Bar
Ø Water inlet outlet pipe	: DN8
Ø Drainage pipe	: DN8
Inlet water temperature	: 1- 39°C
Power input	: AC100 - 240V, 50/60Hz
Power output	: DC6V-1000mA

PRODUCT DESCRIPTION

Vitopure S4-RO-800G Drinking Water Purifier



EN

TECHNICAL DATA

Vitopure S4-RO-800G Drinking Water Purifier

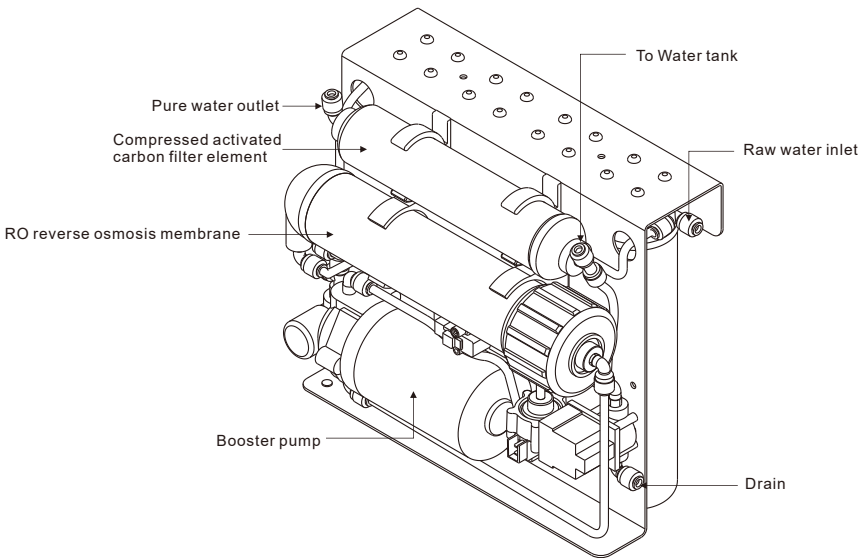
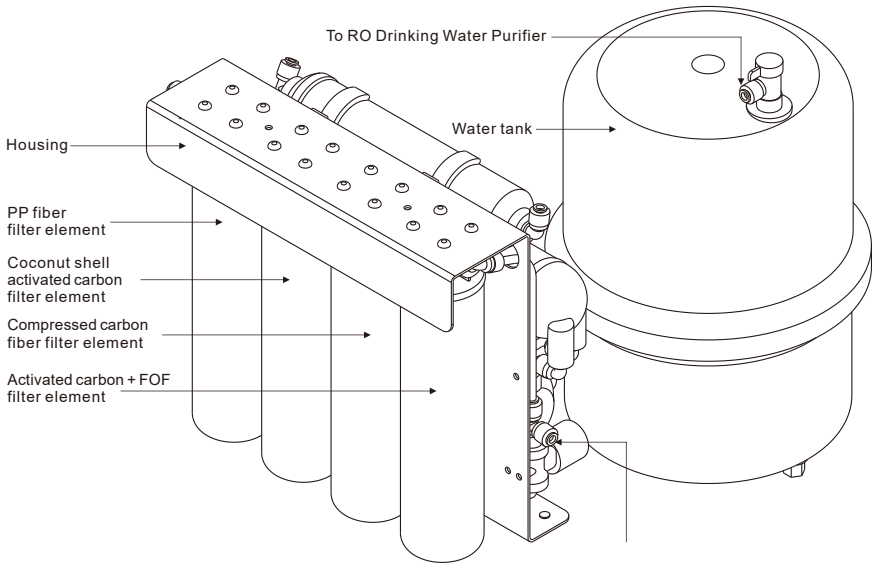
The device is installed after the main water meter and can conduct secondary deep purification treatment on municipal tap water. The device uses reverse osmosis separation membrane technology. Relying on the booster pump to apply pressure to raw water, the device makes raw water pass through the reverse osmosis membrane to filter the hazardous substances contained in raw water.

Product model	: Vitopure S4-RO-800G
Inlet water	: Municipal tap water
Filter	: Compound filter RO filter Compressed activated carbon
Flow rate	: 2,2 litre/ minutes
Working pressure	: 1 - 6,5 Bar
Water inlet / output pipe	: DN10/DN8
Drainage pmp	: DN8
Inlet water temperature	: 1- 39°C
Power input	: AC100 - 240V, 50/60Hz
Power output	: DC6V-1000mA

PART DESCRIPTION

Vitopure S4-RO-U Drinking Water Purifier

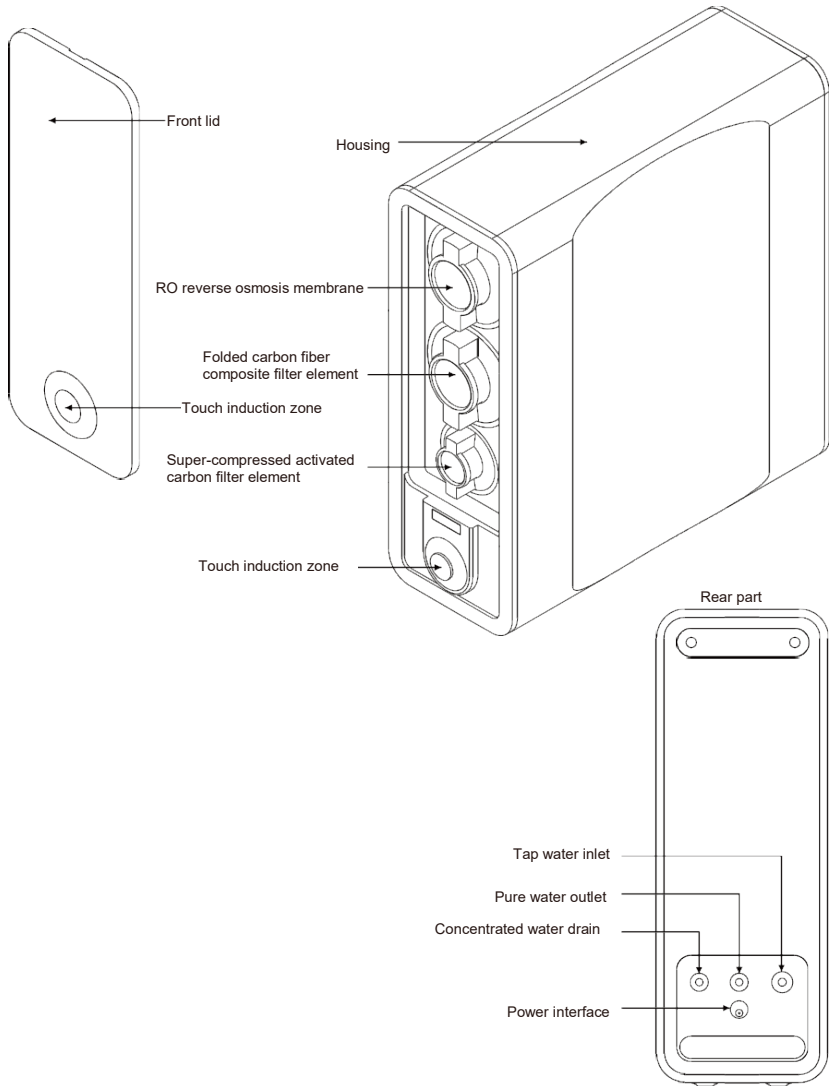
The device consists of housing, filter element, water inlet and outlet PE pipes, inlet 3-way ball valve, water tank, water purification faucet and other parts.



PART DESCRIPTION

Vitopure S4-RO-800G Drinking Water Purifier

The device consists of housing, filter element, water inlet and outlet PE pipes, inlet 3-way ball valve, water purification faucet and other parts.



PRODUCT INSTALLATION

Note :

Product Packing

Check whether the packing box is damaged, detached or loose during transportation or loading.

Unit & Accessories at packing

Check whether the device is damaged in the packing box. Check whether there is any missing of the items contained in packing box.

- 1 RO Direct drinking water purifier
- 1 Accessory box, containing : 1 water purification faucet, 1 PE water pipe, 1 wrench for maintaining filter element, 1 3-way ball valve, 1 power adaptor, 1 installation and service manual, 1 Quality certificate, 1 warranty card water tank (for S4 RO-U)

Note

Installation requirements

- The device is suitable for municipal tap water.
- Do not connect unsafe or unknown water source to the device for filtering.
- The product is used to deeply filter tap water.
- The working water temperature is 1-39°C. The device can not be installed on hot water pipeline.
- The device can be installed anywhere in domestic tap water pipe. However, it is recommended to install the device near kitchen sink for convenient installation and maintenance.
- The device can be installed inside or outside the kitchen cabinet. If it is required to choose another special installation position, please contact local authorized service agency.
- Sufficient space is required for installation and operation during installation.
- Do not bend water inlet and outlet PE pipes to avoid affecting water flow.
- Consider the convenience of use during installation and length of PE water pipe during cleaning and maintenance. Make sure enough space is left.
- Water inlet and outlet interfaces, drain channels and 220-240V power supply shall be provided around the installation position.
- The installation should be away from acid and alkaline substances or gases to avoid corrosion.
- If it is required to install the device outdoors, the device room should be built to avoid the device exposure to sun, rain, snow and other damages.
- The device and connecting fittings should be insulated in cold areas to prevent the device and connecting fittings from being broken.

Note

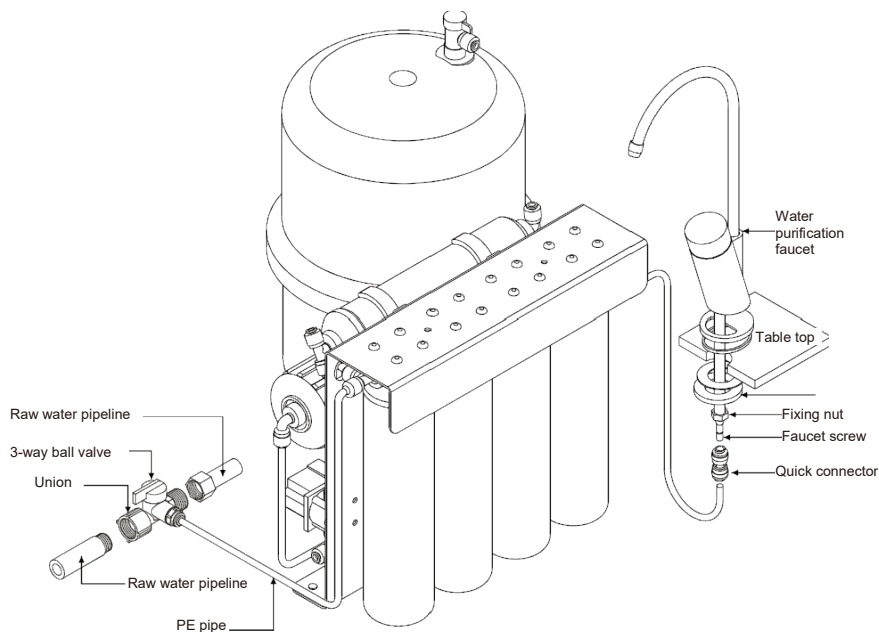
Please prepare all necessary materials and tools required for installation. Follow the steps required in the Installation and Service Manual for proper installation. Please consciously abide by national and local regulations on plumbing, electrical appliances and sanitation during installation. It is recommended to use the pipe fittings that meet the requirements specified in national standard Specifications for Evaluation on Sanitation and Safety of Drinking Water Distribution Equipment and Protective Materials.

Installation steps

1. Turn off the water main switch
2. Install 3-way ball valve
 - Select the installation position on the water inlet pipe.
 - Wrap thread seal tape around the outer thread of 3-way ball valve.
 - Connect the male thread of 3-way ball valve to water pipe and tighten it; otherwise it may cause water leakage.
 - Connect 3-way ball valve union to water supply pipe and screw it tightly. There is a water stop pad in the union, do not lose it! The water stop pad should lie flat in the union; otherwise it may cause water leakage.
3. Install a water purification faucet
 - The faucet accessory kit contains: faucet body, fixed film, soft rubber pad, hard rubber pad, steel sheet washer, fixing nut, PE water pipe and quick connector.
 - Select the position for installing the water purification faucet.
 - If a hole is left on the stainless steel basin for soap dispenser, the hole can be used as installation hole for the faucet. If there is no hole for soap dispenser on stainless steel basin, please make a hole on the selected position by using a hole opener in a diameter no less than 13mm.
 - If the basin is made of artificial stone or marble, please choose a position for making a hole on the table top. Use an opener with a diameter of not less than 13mm to make holes.
4. Gooseneck faucet installation sequence
 - Make a mounting hole in the installation position on the table top.
 - Insert fixing film and soft rubber pad on the screw of the faucet screw in turn.
 - Insert the screw of the faucet into the mounting hole.
 - Insert hard rubber pad, steel sheet washer and fixing nut on the screw passing through the table top in turn and tighten them with a wrench.
 - Insert the quick connector of PE water pipe into the screw of the faucet.
5. Connect 3-way ball valve to water purifier
 - Measure the distance from the PE pipe joint of 3-way ball valve to the water inlet of the device. Then, cut a PE water pipe in the measured length. The length of PE pipe must be sufficient to ensure that the device can be maintained in a suitable space.
 - Insert one end of PE water pipe into the PE pipe joint of 3-way ball valve.
 - Insert the other end of PE water pipe into the water inlet of the device.
6. Connect water purifier to water purification faucet
 - Measure the distance from the water outlet of the device to the water inlet of the faucet. Then, cut a PE water pipe in the measured length. The length of PE pipe must be sufficient to ensure that the device can be maintained in a suitable space.
 - Insert one end of PE water pipe into the water outlet of the device.
 - Insert the other end of PE water pipe into the quick connector on the screw of the faucet.
7. Place water purifier
 - The device is installed in kitchen cabinet.

PRODUCT INSTALLATION

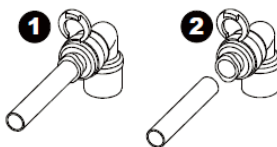
Vitopure S4-R0-U Drinking Water Purifier



EN

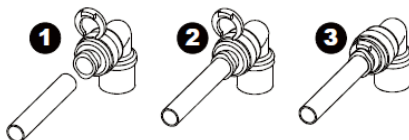
Separate push-in quick connector

1. Pull up the clamp between the connector body and the clamp.
2. Press the clamp to the connector body and pull out the PE pipe.



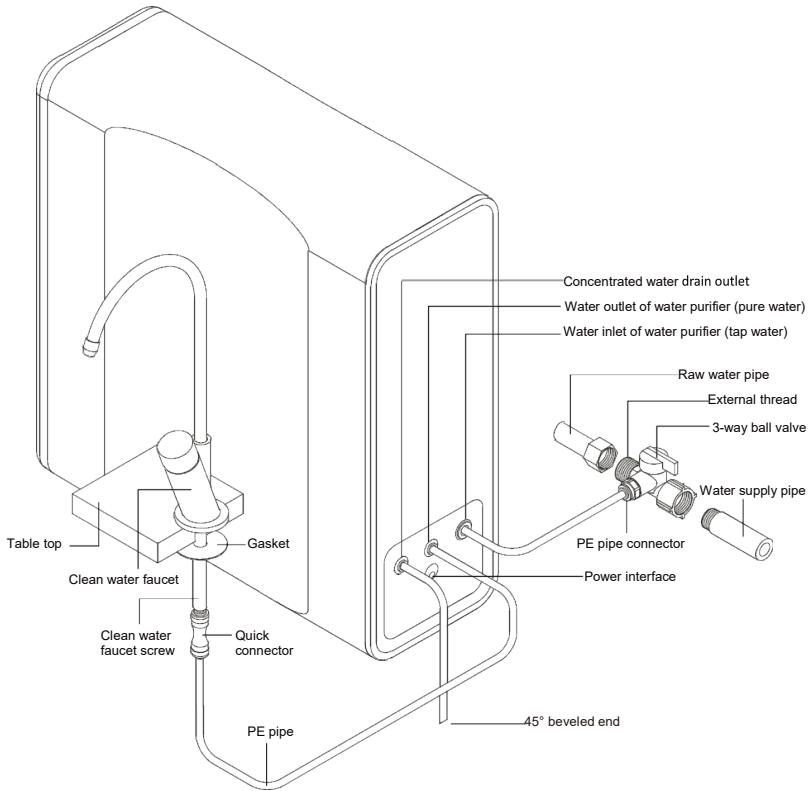
Connect to push-in quick connector

1. Prepare the PE pipe with flat ends.
2. Push the PE pipe into the clamp to the end. Pull the PE pipe with appropriate force to confirm the fixation.
3. Insert the buckle between the connector body and the clamp to achieve firm connection.



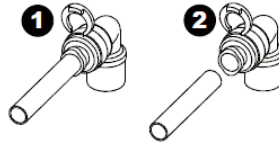
PRODUCT INSTALLATION

Vitopure S4-R0-800G Drinking Water Purifier



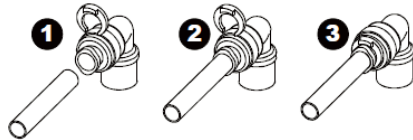
Separate push-in quick connector

1. Pull up the clamp between the connector body and the clamp.
2. Press the clamp to the connector body and pull out the PE pipe.



Connect to push-in quick connector

1. Prepare the PE pipe with flat ends.
2. Push the PE pipe into the clamp to the end. Pull the PE pipe with appropriate force to confirm the fixation.
3. Insert the buckle between the connector body and the clamp to achieve firm connection.



FIRST RUN

Check Tightness

Note :

Upon the completion of installation, slowly turn on the main water source switch and 3-way ball valve switch. Check the connections of 3-way ball valve, PE pipes at each inlet and outlet of water purifier, connection of the quick connector on the faucet screw one by one in the order of water inlet and outlet.

Make sure the above connections are installed in a correct manner without water leakage. Before water purifier is powered, make sure that the circuit system is kept dry.

Install Power Adapter

- The standard power adapter is the default device providing power to the device.
- Insert the round plug at the output end of the power adapter into the power input hole at the rear of the device.
- Connect the power adapter to a power outlet.

Initial use and start-up

- When the device is used for the first time, please check all connecting fittings to make sure there is no water leakage.
- Slowly turn on the cleaning knob and see whether the drainage goes smoothly.
- After installation, connect to power supply, touch the touch switch on the front panel to turn on the operation indicator and turn on water faucet outlet switch.
- Drain water for 10 minutes before normal use.

Replacement of filter element

Note :

The device is used to remove sand, rust, suspended solids, microorganisms, residual chlorine, abnormal colors and odors, other sediments contained in water. If the water source itself contains viscous sediment, such as silt and clay etc., it is necessary to replace the filter on a regularly basis.

Replace filter element

Turn off 3-way ball valve of the device, turn on water purification faucet, release the pressure of water purifier and then turn off the water purification faucet.

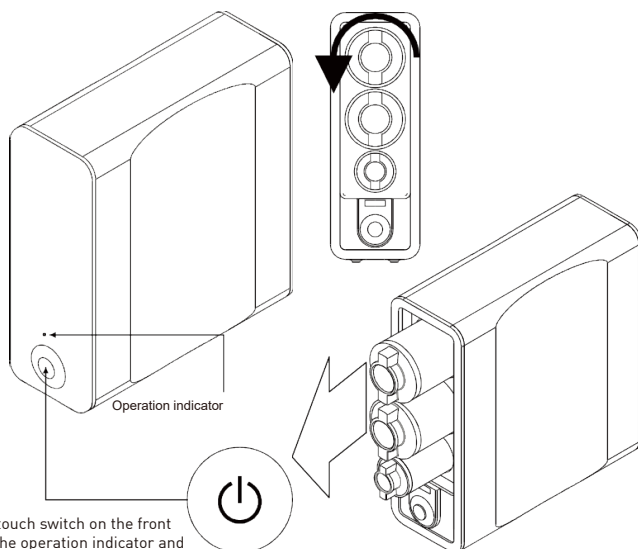
Turn off the power and pull out the power adapter from power outlet.

Remove the filter element

Open the front lid of the device. Hold the upper cover of the filter casing and rotate it counterclockwise until the upper cover of casing is unscrewed.

Re-install the filter element

- After maintenance and replacement of the filter element are completed, rotate the filter element back and rotate the upper end of the filter casing clockwise until it is tightened.
- Upon the completion of cleaning or replacement, turn on water outlet switch and check whether there is water leakage in each connection.
- Before the use of new filter element for the first time, turn on water faucet and make water flow 10 minutes.
- It is necessary to replace filter element, please purchase the original one.



VIESSMANN

VITOPURE

VISSMANN GROUP
VISSMANNSTRASSE 1, 35108 ALLENDORF (EDER),
GERMANY