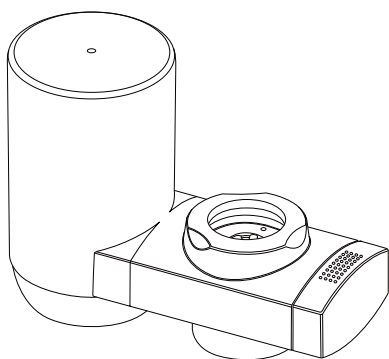


# VIESSMANN

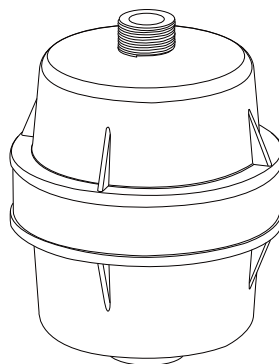
## VITOPURE

### MANUAL BOOK

#### Faucet Filter Water Purifier Vitopure S6-T Shower Filter Water Purifier Vitopure S6-S



VITOPURE S6-T



VITOPURE S6-S

Please read this manual carefully, before installation, usage and maintenance for this product.

## SAFETY TIPS

Please strictly follow these safety tips to reduce the risk of electric shock, injury, fire, death and property damage.

### Danger

It indicates a potential hazard that is highly likely to cause serious injury or death.

### Warning

It indicates a potential hazard that could result in serious injury or death.

### Note

It indicates a danger that could result in minor injury or property damage.



This symbol is used to remind user of the prohibited operation steps.



This symbol is used to remind user of the operation steps that must be followed in order to operate this product in a safe manner

## NOTE

### TARGETS

This manual is intended for use only by the designated professionals. The first run should be performed by the device installer or its designated professionals.

### RULES AND REGULATION TO BE OBSERVED DURING INSTALLATION

- National regulations on installation
- Regulations on accident safety protection
- Regulations on environmental protection

### Precautions for installation, maintenance and use for S6-T

- The device is suitable for municipal tap water and
- Do not connect unsafe or unknown water source to the device for filtering.
- The device is used to pre-filter tap water and the treated water is not available for direct drinking.
- The working water temperature is 1-39°C.
- The device is installed on water faucet in the house.
- Sufficient space is required for installation and operation during installation.  
The installation should be away from acid and alkaline substances or gases to avoid corrosion.
- If it is required to install the device outdoors, the device room should be built to avoid the device exposure to sun, rain, snow and other damages.
- The device and connecting fittings should be insulated in cold areas to prevent the device and connecting fittings from being broken.
- Turn off the main water valve when the device is not used for a long time or the user is absent from home.
- Please slowly turn on the main water valve before resuming use when the device is not used for a long time. Drain sewage and rinse the device once before re-use.
- The spare parts and wearing parts that do not compatible with the device or are not subject to inspection may affect the device function.
- The installation of unauthorized components or

### Vitopure S6-S

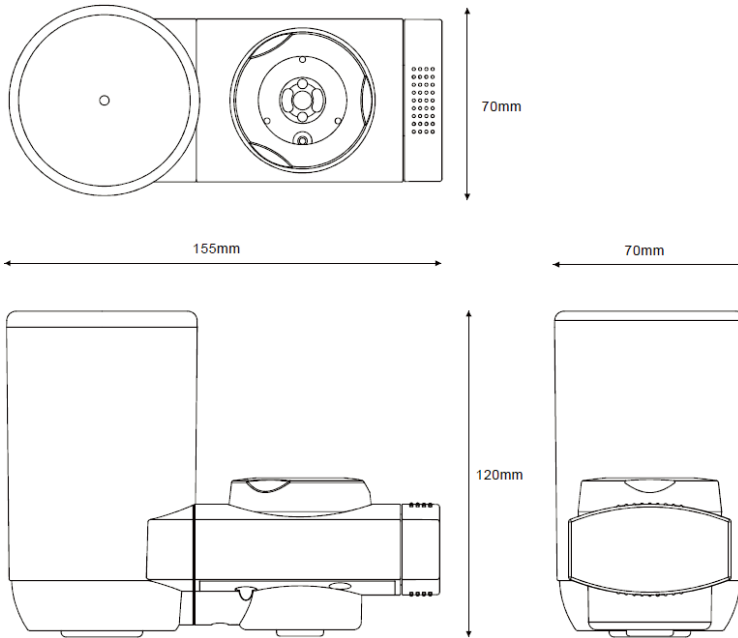
- The device is suitable for municipal tap water.
- Do not connect unsafe or unknown water source to the device for filtering.
- The device is used to pre-filter tap water and the treated water is not available for direct drinking.
- The device is installed on shower mixing valve.
- Maintenance valves should be installed between the device and main water meter and between the device and rear wading devices. Sufficient space is required for installation and operation during installation.
- The installation should be away from acid and alkaline substances or gases to avoid corrosion.
- If it is required to install the device outdoors, the device room should be built to avoid the device exposure to sun, rain, snow and other damages.
- The device and connecting fittings should be insulated in cold areas to prevent the device and connecting fittings from being broken.
- Turn off the main water valve when the device is not used for a long time or the user is absent from home.
- Please slowly turn on the main water valve before resuming use when the device is not used for a long time. Drain sewage and rinse the device once before re-use.
- The spare parts and wearing parts that do not compatible with the device or are not subject to inspection may affect the device function.
- The installation of unauthorized components or unauthorized changes or modifications to the device may affect operational safety and reduce warranty coverage.
- When any part is replaced, it is only allowed to use Viessmann original parts or the spare parts approved by Viessmann.
- Repairing the components with safety features may affect the safe operation of the device.
- Defective parts must be replaced with the original Viessmann parts.



The state issues special regulations on the disposal of discarded electronic and electrical products. Such regulations will vary from country to region. Please properly dispose the used filter in accordance with relevant national and local regulations.  
Please contact a qualified plumber or local dealer

## PRODUCT DESCRIPTION

### Vitopure S6-T Faucet Filter Water Purifier



## TECHNICAL DATA

### Vitopure S6-T Faucet Filter Water Purifier

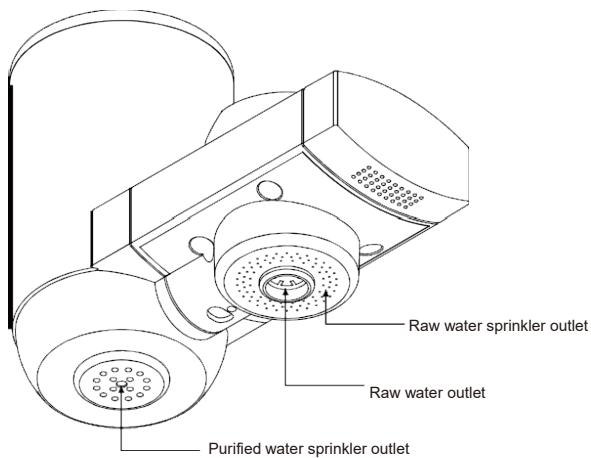
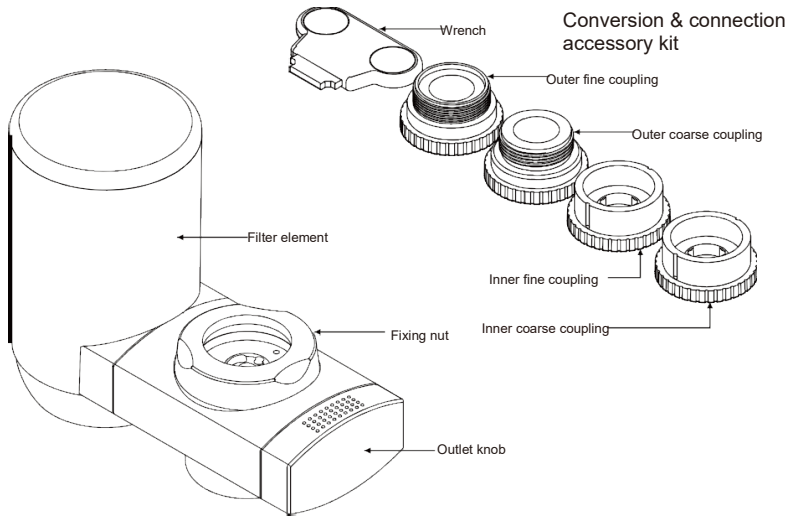
The device is installed on faucet in house. The filter element is used to intercept the impurities such as silt, rust and large suspended solids contained in water. It also can absorb abnormal colors and odors contained in water. The filter element should be replaced after the use for a certain period

|                           |   |
|---------------------------|---|
| Product Name              | : Faucet Filter Water Purifier          |
| Model                     | : Vitopure S6-T                         |
| Water Inlet               | : Municipal tap water                   |
| Filter                    | : Coconut shell activated carbon filter |
| Flow Rate                 | : 83 liter / minutes                    |
| Working Pressure          | : 1.5 - 6.5 Bar                         |
| Water Inlet / Output Pipe | : DN20                                  |
| Water Inlet Temperature   | : 1- 39°C                               |

## PART DESCRIPTION

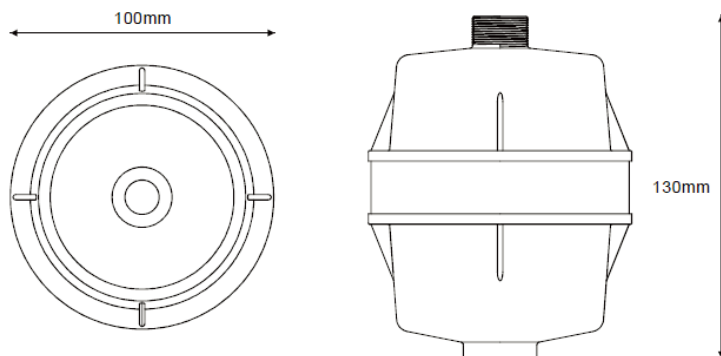
### Vitopure S6-T Faucet Filter Water Purifier

The device consists of housing, filter element, fixing nut, conversion & connection accessory kit and other parts.



## PRODUCT DESCRIPTION

### Vitopure S6-S Shower Filter Water Purifier



## TECHNICAL DATA

### Vitopure S6-S Shower Water Purifier

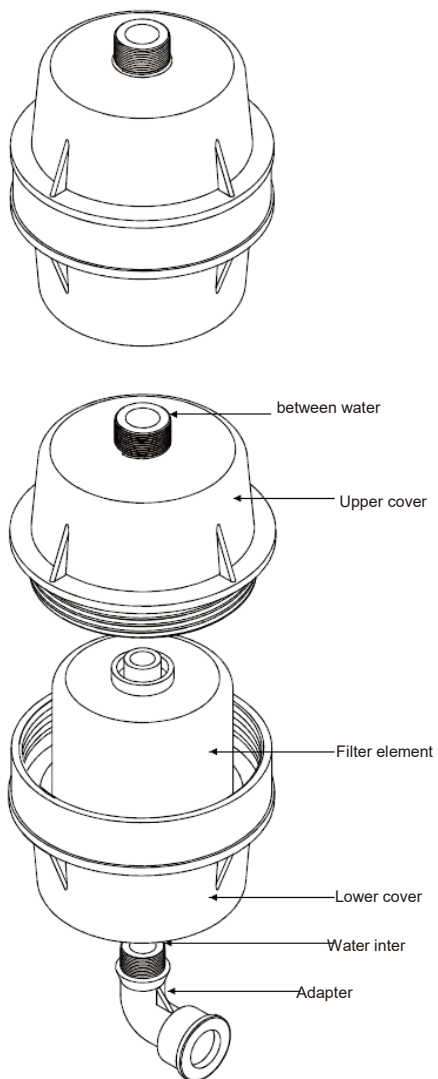
The device is installed after the shower mixer. It uses a composite purification material to remove rust, impurities, residual chlorine, chloroform and other harmful components contained in water and provide clean bath water

|                             |                                |
|-----------------------------|--------------------------------|
| Product Name                | : Shower Filter Water Purifier |
| Model                       | : Vitopure S6-S                |
| Inlet Water                 | : Municipal tap water          |
| Filter                      | : Compound filter              |
| Flow Rate                   | : 83 litre/minutes             |
| Working Pressure            | : 1.5 - 6.5 Bar                |
| ∅ Water inlet / output pipe | : DN20                         |
| Inlet Water Temperature     | : 1- 50°C                      |

## PART DESCRIPTION

### Vitopure S6-S Shower Filter Water Purifier

The device consists of housing, filter element, adapter and other parts.



## PRODUCT INSTALATION

### ! NOTE :

#### External packaging and visual inspection

Check whether the packing box is damaged, detached or loose during transportation or loading. Inspection on items contained in packing box. Check whether the device is damaged in the packing box. Check whether there is any missing of the items contained in packing box.

- 1 Faucet Filter Water Purifier
- 1 Conversion & Connection Accessory Kit
- 1 Installation And Service Manual
- 1 Quality Certificate
- 1 Warranty Card

### ! NOTE :

#### Inspection on installation environment

- The device is suitable for municipal tap water.
- Do not connect unsafe or unknown water source to the device for filtering.
- The device is used to pre-filter tap water and the treated water is not available for direct drinking.
- The device is installed on water faucet.
- The installation should be away from acid and alkaline substances or gases to avoid corrosion.
- If it is required to install the device outdoors, the device room should be built to avoid the device exposure to sun, rain, snow and other damages.
- The device and connecting fittings should be insulated in cold areas to prevent the device and connecting fittings from being broken.

#### Installation requirements

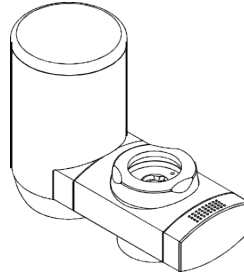
- Please prepare all necessary materials and tools required for installation. Follow the steps required in the Installation and Service Manual for proper installation.
- Please consciously abide by national and local regulations on plumbing, electrical appliances and sanitation during installation.
- It is recommended to use the pipe fittings that meet the requirements specified in national standard Specifications for Evaluation on Sanitation and Safety of Drinking Water Distribution Equipment and Protective Materials.
- Turn off water faucet and leave outlet knob to the position of raw water or raw water sprinkler.
- Unscrew the filter mesh on water faucet.
- Unscrew the fixing nut on the device.
- Select the suitable thread coupling for water faucet from the conversion & connection accessory kit.
- Insert the fixing nut into water faucet.
- Take the wrench in the conversion & connection accessory kit to screw the thread coupling into water faucet.
- Make the thread coupling firmly installed on water faucet.
- Unscrew the filter element from the device.
- Connect to the device with a fixing nut.
- When the fittings is connected, pay attention to measuring the height and angle. No obvious stress is allowed after connections, so as to avoid pipeline damage and leakage

### ! NOTE :

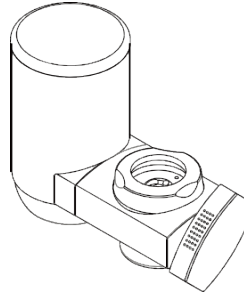
#### Water Outlet Options

The knob can be rotated in an angle of 360°. Water outlets are available in three options:

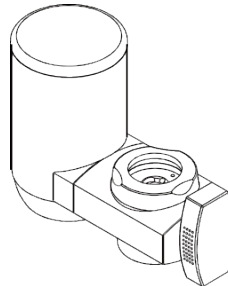
Raw Water, Raw Water Sprinkler and Purified Water Sprinkler



Raw water sprinkler outlet



Raw water outlet



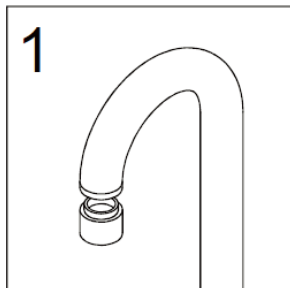
Purified water sprinkler outlet

## PRODUCT INSTALLATION

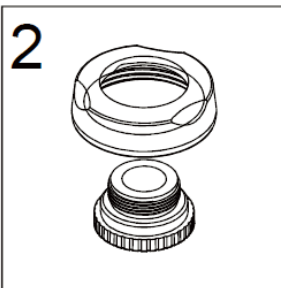
### NOTES :

#### Installation Steps

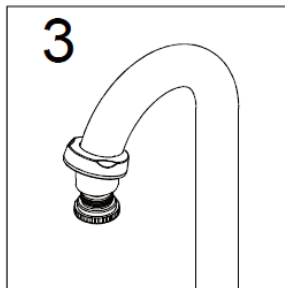
- Please prepare all necessary materials and tools required for installation.
- Follow the steps required in the Installation and Service Manual for proper installation



1. Unscrew the filter mesh on water faucet.



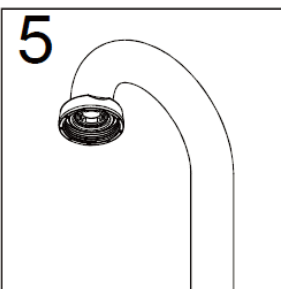
2. Unscrew the fixing nut on water purifier.



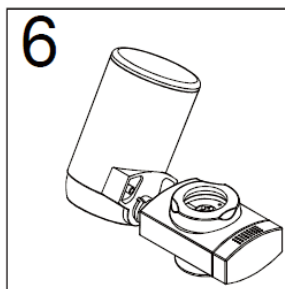
3. Select the suitable thread coupling for water faucet and insert the fixing nut into water faucet.



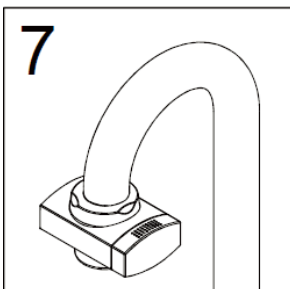
4. Take the wrench in the conversion & connection accessory kit to screw the thread coupling into water faucet.



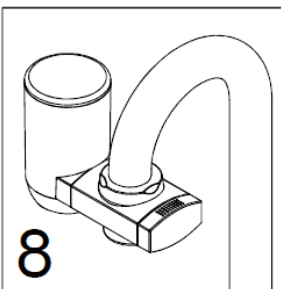
5. Make the thread coupling firmly installed on water faucet.



6. Unscrew the filter element from the device.



7. Connect to water purifier with a fixing nut.



8. Re-mount the filter element and complete the installation.



## PRODUCT INSTALLATION

### ⚠ NOTES :

#### External packaging and visual inspection

Check whether the packing box is damaged, detached or loose during transportation or loading. Inspection on items contained in packing box. Check whether the device is damaged in the packing box. Check whether there is any missing of the items contained in packing box.

- 1 Shower Filter Water Purifier
- 2 Filter Elements
- 2 Adapters
- 1 Installation And Service Manual
- 1 Quality Certificate
- 1 Warranty Card

#### Inspection on installation environment

- The device is suitable for municipal tap water.
- Do not connect unsafe or unknown water source to the device for filtering.
- The device is used to pre-filter tap water and the treated water is not available for direct drinking.
- Do not allow water temperature to exceed 50°C when raw water (tap water) is used.
- The device is installed at the rear of shower mixer.
- Sufficient space is left during installation.
- The installation should be away from acid and alkaline substances or gases to avoid corrosion.
- If it is required to install the device outdoors, the device room should be built to avoid the device exposure to sun, rain, snow and other damages.
- The device and connecting fittings should be insulated in cold areas to prevent the device and connecting fittings from being broken. .

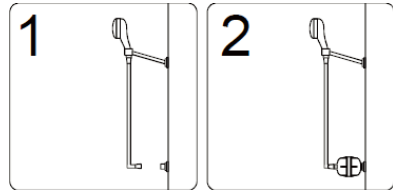
#### Installation requirements

- Turn off shower mixer valve. Install the device in the selected position. ☒ Follow the direction of water inlet and outlet during installation.
- Where it is not convenient to directly install the device, use adapter for connection.
- When it is connected, pay attention to measuring the height and angle. No obvious stress is allowed after connection, so as to avoid water purifier being damaged due to stress during long-term use.

### ⚠ NOTES :

- Please prepare all necessary materials and tools required for installation.
- Follow the steps required in the Installation and Service Manual for proper installation.
- Please consciously abide by national and local regulations on plumbing, electrical appliances and sanitation during installation.
- It is recommended to use the pipe fittings that meet the requirements specified in national standard Specifications for Evaluation on Sanitation and Safety of Drinking Water Distribution Equipment and Protective Materials.

#### Installation Steps

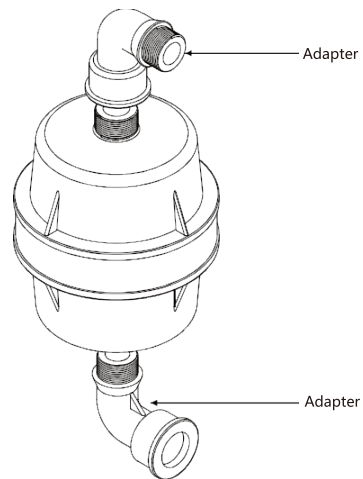


1  
Unscrew the water outlet nut connecting to shower hose and shower mixer

2  
Install water purifier on the water outlet pipe of shower mixer, and then connect it to the water inlet nut of shower sprinkler

#### Use Adapter

Where it is not convenient to directly install water purifier, firstly install adapter and then connect to shower and sprinkler.



## MAINTENANCE AND USE

### FIRST USE

#### NOTES :

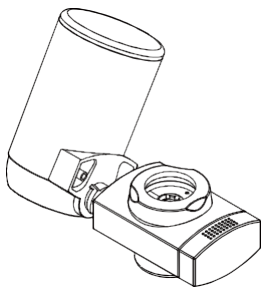
#### Check Tightness

- After installation, slowly turn on water mixer.
- Inspect all pipe connections involved in the installation process for water leakage.

#### Initial use and start-up

- When the device is used for the first time, please check all connecting fittings to make sure there is no water leakage.
- Slowly turn on the mixer knob and check whether the drainage goes smoothly.
- Do not allow water temperature to exceed 50°C when raw water (tap water) is used.
- Since carbon-contained water may flow out when water purifier is used for the first time, please make water flow for 60 seconds before use.
- Before daily use, please make water flow for 10 seconds.
- If water purifier is not used for a long time, please make water flow for 60 seconds before use.
- When filter element is installed or replaced, make sure to turn off water mixer. Upon the completion of replacement, please make water flow for 60 seconds to remove carbon powder.

Unscrew filter element from the device



### REPLACE FILTER ELEMENT

#### NOTES :

The device is used to reduce sand, gravel, debris and other sediments contained in water or accumulated on pipe wall. If the water source itself contains viscous sediment, such as silt and clay etc., it is necessary to replace filter element on a regularly

#### Replace filter element

It is necessary to replace filter element, especially when inflow water contains more clay or silt, it is required to replace filter element frequently

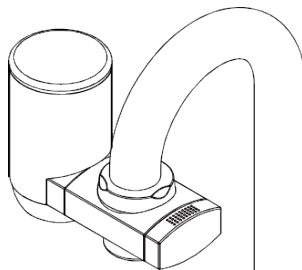
#### S6-T

- Turn off water faucet and put outlet knob to the position "Raw Water" or "Raw Water Sprinkler".
- Unscrew the used filter element from water purifier.
- Mount new filter element.
- Turn on water faucet.
- Turn off water faucet after it is found that water flow is stable.
- Check all pipe connections involved for water leakage and tighten again if necessary.
- When filter element is replaced, pay attention to measuring the height and angle. No obvious stress is allowed after connection, so as to avoid water purifier being damaged due to stress during long-term use.

#### S6-S

- Turn off water mixer.
- Unscrew the shower from shower hose and water mixer.
- Open the upper cover of shower, take out the used filter element, put in a new filter element and screw the upper cover.
- Connect shower to shower hose and water mixer.
- Turn on water mixer. Turn off it after it is found that water flow is stable.
- Check all connections for water leakage and tighten again if necessary.
- When filter element is replaced, pay attention to measuring the height and angle. No obvious stress is allowed after connection, so as to avoid water purifier being damaged due to stress during long-term use.

Mount new filter element and finish the replacement step.



NOTED :

VIESSMANN  
VITOPURE



# **VIESSMANN**

## **VITOPURE**

---

VISSMANN GROUP  
VISSMANNSTRASSE 1, 35108 ALLENDORF (EDER),  
GERMANY